

Notified in AAOs for 31st MAR 1956

7610-010-0546



RESTRICTED

THE INFORMATION GIVEN IN THIS DOCUMENT IS NOT TO BE
COMMUNICATED EITHER DIRECTLY OR INDIRECTLY TO THE
PRESS OR TO ANY PERSON NOT AUTHORIZED TO RECEIVE IT

AUSTRALIAN MILITARY FORCES

IDENTIFICATION LIST

WIRELESS STATION,
A510

1956

PREFACE

AIM

This Identification List is prepared for the visual identification of items comprising the equipment. Every item and assembly is therefore listed.

ISSUING AUTHORITY

This Identification List is issued by MGO Branch, AHQ.

ILLUSTRATIONS

Those items not illustrated are indicated thus—"Ø".

MAINTAINABLE ITEMS

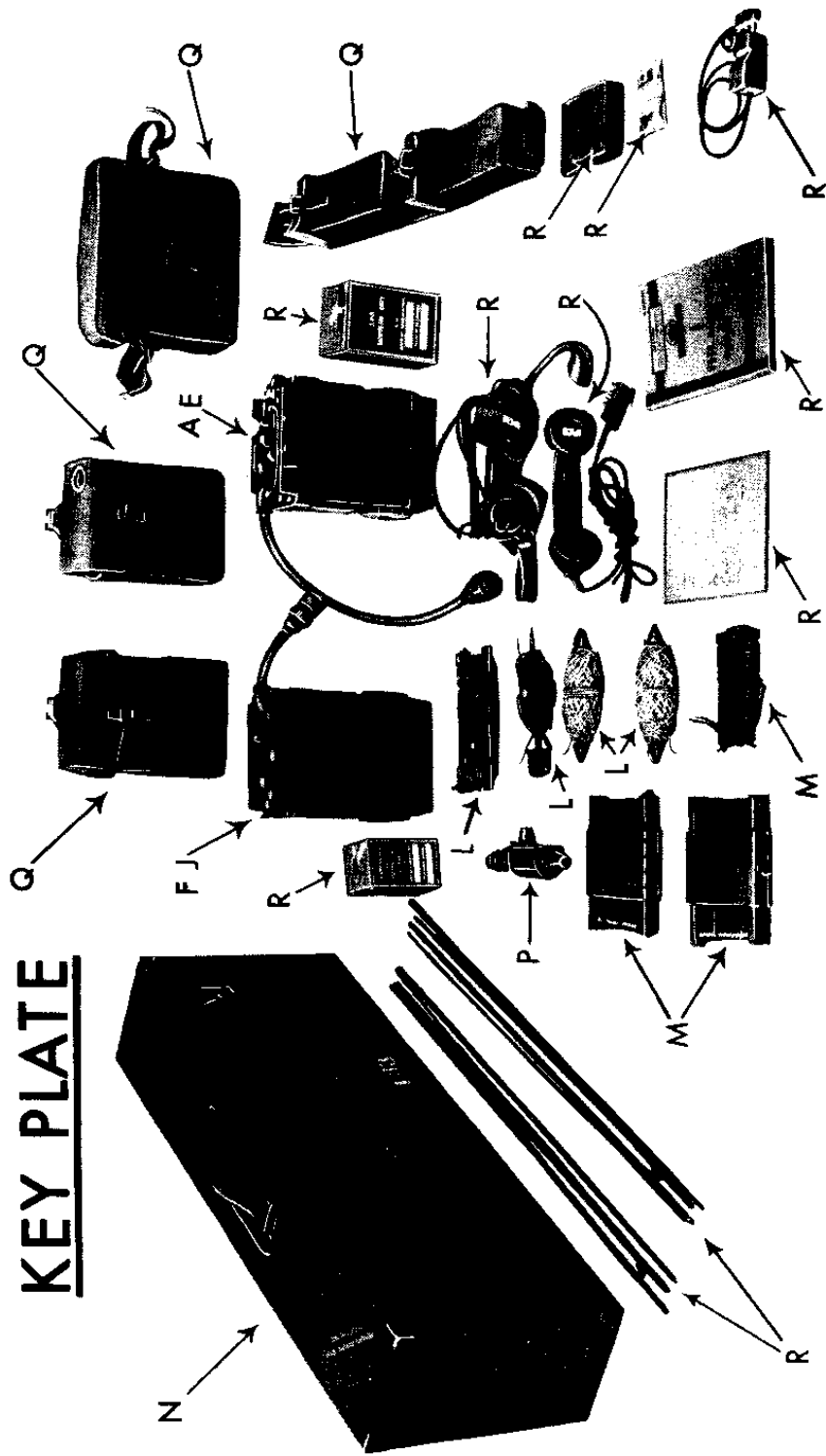
Maintainable items normally stocked by RAAOC are indicated thus—"*".

AMENDMENTS

Amendments will be issued at six monthly intervals from the date of this publication, and notified in AAOS.

LIST OF AMENDMENTS							
Amdt. Ser.No.	Authority	Amended by —	Date	Amdt. Ser.No.	Authority	Amended by —	Date

KEY PLATE



(iv)

INDEX TO KEY PLATE

PLATE	ITEM	PAGE
A to E	Transmitter assemblies	2-18
F to J	Receiver assemblies	20-32
K	Circuit diagram	34-35
	<u>Station Items</u>	
L	Aerials, end-fed, adjustable, 135-ft. } Cords, aerial, weighted } Counterpoise assemblies }	38-39
M	Aerials, lightweight, 68-ft. } Feeders, aerial, 70-ohms }	40-41
N	Cases, transit, A510	42-43
P	Inductor assemblies, aerial tuning ..	44-45
Q	Webbing carrying equipment for Wireless Station A510	46-47
R	Miscellaneous Station items	48-49

INDEX TO PLATE REFERENCES

PLATE REF.	PAGE NO.	PLATE REF.	PAGE NO.
A1 to A14	2	F4 to F5	21
A15 to A17	4	F6 to F7	23
A18 to A22	5	F8 to F11	24
A23 to A25	7	F12 to F15	26
A26 to A29	9	F16 to F18	27
A30	10		
A31 to A33	11	G1 to G5	20
A34 to A36	12	G6 to G13	21
		G14 to G16	22
B1 to B5	2		
B6 to B9	3	H1 to H7	21
B10 to B17	4	H8 to H14	22
		H15 to H16	23
C1 to C7	3	H17 to H19	25
C8 to C15	4		
C16 to C25	5	J1 to J11	22
C26 to C29	8	J12 to J22	23
C30	10	J23 to J28	24
C31	11	J29 to J44	25
		J45 to J62	26
D1 to D4	5	J63 to J69	27
D5 to D19	6		
D20 to D29	8	L1 to L14	39
D30 to D37	9		
D38 to D49	10	M1 to M22	41
D50 to D55	11		
D56	12	N1 to N16	43
E1	6	P1 to P29	45
E2 to E4	7		
E5 to E13	11	Q1 to Q20	47
F1 to F3	20	R1 to R11	49

ABBREVIATIONS

A/F	-	Across flats
a.r.	-	As required
Aust.	-	Australian pattern
AWA	-	Amalgamated Wireless (Australasia) Ltd.
BA	-	British Association
Br.	-	Brass
Cat.	-	Catalogue
ch.	-	Cheese
comp.	-	Composition
csk.	-	Countersunk
DC	-	Direct current
dia.	-	Diameter
ft.	-	Foot or feet
hd.	-	Head
hex.	-	Hexagon
HT	-	High tension
ID	-	Inside diameter
IF	-	Intermediate frequency
in.	-	Inch
ins.	-	Insulated
lg.	-	Long
LH	-	Left hand
LT	-	Low tension
Mc/s	-	Megacycles per second
Mk.	-	Mark
mlded.	-	Moulded
M.Pt.	-	Maker's Part
No.	-	Number
OA	-	Over-all
OD	-	Outside diameter
PA	-	Power amplifier
pap.	-	Paper
pt.	-	Point
rd.	-	Round
ref.	-	Reference
RF	-	Radio frequency
RH	-	Right hand
SI	-	Single inductance
silv'd.	-	Silvered
sq.	-	Square
SWG	-	Standard wire gauge
tub.	-	Tubular
V	-	Volt
wkg.	-	Working
μ F	-	Microfarad
pF	-	Picofarad ($\mu\mu$ F)
μ H	-	Microhenry

RESTRICTED

TRANSMITTER ASSEMBLIES

PAGES 2 TO 18

PLATES A TO E

CIRCUIT DIAGRAM AND CODE

PAGES 34 - 35 PLATE K

PLATE REF. NO.	DESIGNATION	CATALOGUE NO.	NO. OFF	DRAWING NO. OR REMARKS
A1 *	AERIAL TERMINAL ASSEMBLIES .. comprising :-	Z1/TSE(W)8-335	1	Mounted on front panel. M. Pt. No. 29090.
A2	BODIES, aerial terminal ..	-	1	TSE(W)8-337. M. Pt. No. 29091.
A3	FLANGES, aerial terminal ..	-	1	TSE(W)8-310. M. Pt. No. 29099.
A4	PINS, aerial terminal ..	-	1	TSE(W)8-339. M. Pt. No. 29096.
A5	FLUNGERS, aerial terminal ..	-	1	TSE(W)8-338. M. Pt. No. 29093.
A6 *	RINGS, "0", .187-in. x .103-in. x .042-in. ..	Z1/TSE(W)8-19	1	M. Pt. No. 29265.
A7 *	RINGS, "0", $\frac{1}{4}$ -in. x $\frac{3}{8}$ -in. (Duro 70-80)	Z1/TSE(W)8-312	1	M. Pt. No. 29097.
A8 *	SPRINGS, aerial terminal ..	Z1/TSE(W)8-336	1	M. Pt. No. 25726.
Items 9 - 13 below are used with but are not part of AERIAL TERMINAL ASSEMBLY.				
A9 *	INSULATORS, aerial terminal ..	Z1/TSE(W)8-311	1	M. Pt. No. 29094.
A10*	NUTS, aerial terminal ..	Z1/TSE(W)8-314	1	M. Pt. No. 29038.
A11*	WASHERS, insulating, aerial terminal ..	Z1/TSE(W)8-313	1	M. Pt. No. 29092.
A12	WASHERS, plain, $\frac{3}{8}$ -in. ..	-	1	M. Pt. No. 22280.
A13	WASHERS, spring, $\frac{3}{8}$ -in. ..	-	1	
A14*	BRACKET ASSEMBLIES, battery connector comprising :-	Z1/TSE(W)8-385	1	Mounted to back of transmitter chassis, making contact to studs in case. M. Pt. No. 29412.
...	BATTERY CONTACT ASSEMBLIES ..	Ø	1	TSE(W)8-201. M. Pt. No. 29332.
...	BRACKETS, battery connector..	Ø	1	TSE(W)8-386. M. Pt. No. 29413.
...	EYELETS, No. 188 ..	Ø	2	M. Pt. No. 315028.
<u>H A R D W A R E</u>				
	SCREWS, BA, Br., ch. hd., No. 6 x $\frac{1}{4}$ -in., anti-corrosive ..	Z2/ZB12365	2	
	WASHERS, BA, Br., No. 6, small, anti- corrosive ..	Z2/ZB14025	2	
	WASHERS, BA, spring, single coll, sq. section, No. 6, rustproof ..	Z2/ZB13468	2	
...	CABLE-FORMS (wiring loom) ..	Ø	1	TSE(W)8-321. M. Pt. No. 29252.
	CAPACITORS			See Page 13 and PLATE K.
...*	CASE ASSEMBLIES, transmitter comprising :-	Z1/TSE(W)8-474	1	M. Pt. No. 29464.
B1	CASES, transmitter ..	-	1	TSE(W)8-473. M. Pt. No. 29103.
...	NUTS, battery contact ..	Ø	3	TSE(W)8-288. M. Pt. No. 29257.
B2 *	NUTS, locking wheel ..	Z1/TSE(W)8-286	2	M. Pt. No. 29267.
...	PINS, bearing, locking wheel ..	Ø	2	TSE(W)8-290. M. Pt. No. 29255.
...*	RINGS, "0", .250-in. x .166-in. x .042-in. (Duro 70) ..	Z1/TSE(W)8-15	2	M. Pt. No. 29174. For locking wheel bearing pin.
B3	SCREWS, battery contact, half-hex. ..	-	1	Uninsulated TSE(W)8-184. M. Pt. No. 30349.
B4	SCREWS, battery contact, hex. ..	-	2	Insulated TSE(W)8-289. M. Pt. No. 29256.
B5 *	SCREWS, front panel to case ..	Z1/TSE(W)8-285	4	M. Pt. No. 29355.
...	WASHERS	Ø	3	TSE(W)8-292. M. Pt. No. 29178. (Battery side of battery contact screw.)

PLATE REF. NO.	DESIGNATION	CATALOGUE NO.	NO. OFF	DRAWING NO. OR REMARKS
	CASE ASSEMBLIES (Cont'd)			
...	WASHERS \emptyset -		3	TSE(W)8-291. M. Pt. No. 29187. (Transmitter side of battery contact screw.)
B6 *	WHEELS, locking, battery cover ..	Z1/TSE(W)8-667	2	M. Pt. No. 32187.
	<u>H A R D W A R E</u>			
...	WASHERS, BA, Br., No. 2, small, anti-corrosive	Z2/ZB12450	2	TSE(W)8-672. M. Pt. No. 15732.
...	CLAMP ASSEMBLIES, battery, transmitter case	-	1	TSE(W)8-467. In battery compartment. M. Pt. No. 31694.
	comprising :-			
B7 *	CLAMPS, battery, transmitter case ..	Z1/TSE(W)8-468	1	M. Pt. No. 29259.
B8	CLAMPS, cable	-	1	TSE(W)8-270. M. Pt. No. 31631.
B9 *	PLUG AND CABLE ASSEMBLIES, 3-pin ..	Z1/TSE(W)8-469	1	H. T. battery plug. M. Pt. No. 29292. Circuit ref. No. PL3 (See PLATE K)
...	COMPONENT ASSEMBLIES	-	1	-
	comprising :-			
...	CAPACITORS - (C127, 101, 113, 105)	-	-	See Page 13 and PLATE K.
...	LEAD GROUP	\emptyset	1	M. Pt. No. 32422.
...	RESISTORS (R101, 105)	-	-	See Page 13 and PLATE K.
...	SUB-CHASSIS ASSEMBLIES, valve socket \emptyset	-	1	TSE(W)8-377. M. Pt. No. 29410.
	<u>H A R D W A R E</u>			
	Undermentioned items are used on but are not part of the SUB-CHASSIS ASSEMBLY :-			
...	SCREWS, BA, Br., ch. hd., No. 6 x $\frac{3}{8}$ -in., anti-corrosive	Z2/ZB11544	4	Reduce length to 3/16-in.
...	WASHERS, BA, spring, single coil, sq. section, No. 6, rustproof ..	Z2/ZB13468	3	
C1 *	CONNECTOR ASSEMBLIES, 17-pt., male ..	Z1/TSE(W)8-393	1	M. Pt. No. 29466. Connects transmitter to receiver.
	comprising :-			
C2 *	CABLE, "Telcon" TA 70-119	Y3/AWA/TA70-119	18-in.	13-core.
...	CONES	\emptyset	1	TSE(W)8-242. M. Pt. No. 29190.
C3	COVERS, cable entry, front panel ..	-	1	TSE(W)8-246. M. Pt. No. 29194.
C4	COVERS, plug	-	1	TSE(W)8-561. M. Pt. No. 29181.
...	NUTS	\emptyset	1	TSE(W)8-245. M. Pt. No. 29193.
C5 *	PLUGS, 17-pin, "Bendix/Technico" type AD 439	Z1/ZAA0670	1	Circuit ref. PL1 (See PLATE K)
C6 *	RINGS, "O", .938-in. x 1.062-in. x .062-in.	Z1/TSE(W)8-261	1	M. Pt. No. 29243. Under front panel cable entry cover.
C7 *	SLEEVES, rubber, 18-in. long	Z1/TSE(W)8-243	1	M. Pt. No. 29191.
...	WASHERS	\emptyset	1	TSE(W)8-244. M. Pt. No. 29192.
	<u>H A R D W A R E</u>			
	SCREWS, BA, Br., ch. hd., No. 4 x 5/16-in., anti-corrosive	Z2/ZB12802	1	These items are used with, but are not part of the CONNECTOR ASSEMBLIES, 17-pt. male.
	SCREWS, BA, Br., ch. hd., No. 4 x $\frac{3}{8}$ -in., anti-corrosive	Z2/ZB11497	3	
	WASHERS, BA, spring, single coil, sq. section, No. 4, rustproof ..	Z2/ZB13467	4	

PLATE REF. NO.	DESIGNATION	CATALOGUE NO.	NO. OFF	DRAWING NO. OR REMARKS
C8 *	CONTROL PLATES, front panel ..	Z1/TSE(W)8-327	1	M. Pt. No. 29449. Indicating plate for control knobs.
	<u>H A R D W A R E</u>			
	SCREWS, BA, Br., csk. hd., No. 6 x 3/16-in., anti-corrosive ..	Z2/ZB11535	3	Used with, but not part of CONTROL PLATES, front panel.
	SCREWS, BA, Br., csk. hd., No. 6 x 3/8-in., anti-corrosive ..	Z2/ZB13243	3	Reduce length to 5/16-in.
B10*	COVER ASSEMBLIES, battery ..	Z1/TSE(W)8-277	1	M. Pt. No. 29260.
	comprising :-			
B11	COVERS, battery ..	-	1	TSE(W)8-283. M. Pt. No. 29102.
B12*	GASKETS, battery cover, 5.787-in. x 3.286-in. x .125-in. ..	Z1/TSE(W)8-278	1	M. Pt. No. 29170.
B13	PINS, bearing ..	-	2	TSE(W)8-281. M. Pt. No. 29262.
B14*	RINGS, "O", .187-in. O.D. x .103-in. I.D. x .042-in. ..	Z1/TSE(W)8-19	2	M. Pt. No. 29265. Fits on bearing pin inside cover, M. Pt. No. 29265.
B15	ROLLERS, bearing pin ..	-	2	TSE(W)8-279. M. Pt. No. 29264.
B16	SPACERS, bearing pin ..	-	2	TSE(W)8-282. M. Pt. No. 29261.
B17	WASHERS, bearing pin ..	-	2	TSE(W)8-280. M. Pt. No. 29263.
C9 *	COVER ASSEMBLIES, crystal ..	Z1/TSE(W)8-340	1	M. Pt. No. 29122.
	comprising :-			
C10	CHAINS, retaining, crystal cover ..	-	1	TSE(W)8-566. M. Pt. No. 29139.
C11	COVERS, crystal ..	-	1	TSE(W)8-171. M. Pt. No. 29426.
...	CUSHIONS, rubber, crystal cover ..	-	2	TSE(W)8-539. M. Pt. No. 29250.
C12	SCREWS, retaining, crystal cover ..	-	1	TSE(W)8-341. M. Pt. No. 29153.
C13	WASHERS, sealing, crystal cover retaining screw ..	-	1	TSE(W)8-117. M. Pt. No. 29152.
	<u>H A R D W A R E</u>			
	NUTS, BA, Br., hex., No. 8, anti-corrosive ..	Z2/GAA2722	1	
C14	CRYSTAL HOLDER ASSEMBLIES, 8-pin ..	-	1	Mounts four crystals on front panel.
	comprising :-			
C15*	BODIES, moulded, crystal socket ..	Z1/TSE(W)8-56	1	M. Pt. No. 29150.
A15*	CONTACT ASSEMBLIES (Sockets) ..	Z1/TSE(W)8-332	8	Less nuts and washers. M. Pt. No. 29166.
A16*	INSULATING-PLATES, crystal socket ..	Z1/TSE(W)8-303	1	M. Pt. No. 29299.
...	TAGS, solder ..	-	8	TSE(W)8-304. M. Pt. No. 29372.
A17*	WASHERS, step, rubber ..	Z1/TSE(W)8-302	8	M. Pt. No. 29151.
	<u>H A R D W A R E</u>			
	NUTS, BA, Br., hex., No. 8, anti-corrosive ..	Z2/GAA2722	8	
	WASHERS, BA, Br., No. 8, small, anti-corrosive ..	Z2/ZBA0029	8	
	WASHERS, BA, spring, single coil, sq. section, No. 8, rustproof ..	Z2/ZB13469	8	

PLATE REF. NO.	DESIGNATION	CATALOGUE NO.	NO. OFF.	DRAWING NO. OR REMARKS
C16*	DIAL WINDOW ASSEMBLIES comprising :-	Z1/TSE(W)8-60	1	M. Pt. No. 29160. For tuning unit assembly.
C17	GASKETS, dial window	-	1	TSE(W)8-63. M. Pt. No. 29172.
C18*	GLASS, dial window	Z1/TSE(W)8-61	1	M. Pt. No. 29161.
C19	WINDOWS, dial	-	1	TSE(W)8-62. M. Pt. No. 29162.
Undermentioned item is used with, but is not part of, DIAL WINDOW ASSEMBLIES.				
C20*	RINGS, "O", 1.23/64-in. x 1.15/64-in. (Duro 40)	Z1/TSE(W)8-21	1	M. Pt. No. 29171.
A18	END PLATE ASSEMBLIES comprising :-	-	1	TSE(W)8-369. M. Pt. No. 29419.
A19	END PLATES, stencilled	-	1	TSE(W)8-558. M. Pt. No. 29496.
A20	PLATES, modification record, 1-in. x 1 1/2-in.	Y1/YA8197	1	
...	RIVET-BLOCKS, 6BA	Ø	1	TSE(W)8-93. M. Pt. No. 29126.
<u>H A R D W A R E</u>				
	RIVETS, 1010 x 3/32-in.	-	4	
	SCREWS, BA, Br., ch. hd., No. 6 x 3/8-in., anti-corrosive	Z2/ZB11544	4	Reduce length to 3/16-in.
	WASHERS, BA, spring, single coil, sq. section, No. 6, rustproof	Z2/ZB13468	4	
D1 *	FRONT PANELS, transmitter (stencilled) comprising :- Undermentioned items are used on, but are not part of,	Z1/TSE(W)8-563	1	M. Pt. No. 29188. FRONT PANELS, transmitter.
D2 *	BEARINGS, insert, control spindles	Z1/TSE(W)8-10	2	M. Pt. No. 29312.
D3 *	GASKETS, front panel	Z1/TSE(W)8-294	1	Rubber. M. Pt. No. 29173.
C21*	HANDLES, carrying transmitter	Z1/TSE(W)8-301	1	M. Pt. No. 29450.
...	NAMEPLATES	Ø	1	TSE(W)8-568. M. Pt. No. 31690.
C22*	NUTS, front panel to case	Z1/TSE(W)8-296	4	M. Pt. No. 29356.
A21*	PLATES, mounting, telegraph key	Z1/TSE(W)8-547	1	M. Pt. No. 29447.
C23*	RINGS, "O", .343-in. x .218-in.	Z1/TSE(W)8-315	1	M. Pt. No. 29245. For test vent seal.
D4 *	RINGS, "O", 7/16-in. x 5/16-in. (Duro 70)	Z1/TSE(W)8-11	2	M. Pt. No. 29180. For control spindle insert bearing.
...	RIVETS, handle	Ø	2	TSE(W)8-8. M. Pt. No. 29306.
...	RIVETS, handle catch, transmitter	-	1	TSE(W)8-300. M. Pt. No. 29451.
C24*	SCREWS, test vent seal	Z1/TSE(W)8-316	1	M. Pt. No. 29271.
C25*	SPRING-PLATES, earth terminal	Z1/TSE(W)8-299	1	M. Pt. No. 29452.
<u>H A R D W A R E</u>				
	SCREWS, BA, Br., csk. hd., No. 8 x 3/16-in., anti-corrosive	Z2/ZB12977	3	
	SCREWS, BA, Br., csk. hd., No. 8 x 1/4-in., anti-corrosive	Z2/ZB13040	1	Reduce length to 3/8-in.
The above-mentioned items are used with, but are not part of, PLATES, mounting, telegraph key.				
	WASHERS, BA, Br., No. 8, small, anti-corrosive	Z2/ZBA0029	2	TSE(W)8-88. M. Pt. No. 15716.
A22*	HOLDERS, valve, 7-pin, miniature	Z1/ZAA0649	4	M. Pt. No. 27864.

PLATE REF. NO.	DESIGNATION	CATALOGUE NO.	NO. OFF	DRAWING NO. OR REMARKS
D5	HUMIDITY INDICATOR ASSEMBLIES .. comprising :-		1	
D6 *	GASKETS, humidity indicator ..	Z1/TSE(W)8-41	1	M. Pt.No.29179. .375-in. x .291-in. x 1/32-in.
D7 *	GLASS, window, humidity indicator ..	Z1/TSE(W)8-42	1	M. Pt.No.29274.
D8 *	INDICATORS, humidity ..	Z1/TSE(W)8-43	1	M. Pt.No.29275.
D9 *	NUTS, ring, humidity indicator ..	Z1/TSE(W)8-45	1	M. Pt.No.29272.
D10	WASHERS, humidity indicator ..	-	1	Br. TSE(W)8-44. M. Pt.No.29273.
...	INDEXING ASSEMBLIES, function switch .. comprising :-	-	1	TSE(W)8-546. M. Pt.No.29439.
...	BUSHES	∅ -	2	TSE(W)8-318. M. Pt.No.29433.
D11*	CIRCLIPS	Z1/TSE(W)8-20	2	"C" washer. MA No.2537.
D12	LEVER ASSEMBLIES	-	2	TSE(W)8-351. M. Pt.No.29442.
D13	MOUNTING PLATE ASSEMBLIES	-	1	TSE(W)8-343. M. Pt.No.29440.
D14*	SPRINGS, indexing assembly	Z1/TSE(W)8-319	1	Loading spring. M. Pt.No.25788.
Undermentioned items are used with, but are not part of, INDEXING ASSEMBLIES, function switch.				
D15	GAMS, indexing	-	1	TSE(W)8-317. M. Pt.No.29446.
...	WASHERS, 7/16-in. O.D. x .251-in. I.D. ∅	Z1/TSE(W)8-324	1	M. Pt.No.21771.
<u>H A R D W A R E</u>				
	SCREWS, BA, Br., ch.hd., No.6 x 3/8-in., anti-corrosive	Z2/ZB11544	2	Reduce length to 1/2-in.
	WASHERS, BA, spring, single coil, sq. section, No.6, rustproof	Z2/ZB13468	2	
D16*	KNOBS, lever, crystal selector switch..	Z1/TSE(W)8-329	1	Crystal selector. M. Pt.No.29086.
D17*	KNOBS, lever, function switch ..	Z1/TSE(W)8-328	1	Function switch. M. Pt.No.29085.
D18*	KNOBS, main drive, tuning and volume ..	Z1/TSE(W)8-22	1	Main drive. M. Pt.No.29084.
D19*	KNOBS, netting and crystal matching switch	Z1/TSE(W)8-330	2	Net and crystal matching switch. M. Pt.No.29083.
...	LEAD GROUP ASSEMBLIES	∅ -	1	M. Pt.No.32423.
...	METER MOUNTING ASSEMBLIES comprising :-	-	1	TSE(W)8-390. M. Pt.No.29407.
E1 *	METERS, 0-500-μA, "Paton" type HS - 1	Z1/ZAA0519	1	M. Pt.No.29089. Circuit ref.No. M1. (See circuit diagram PLATE K)
...	MOUNTING PLATE RIVET ASSEMBLIES	∅ -	1	TSE(W)8-391. M. Pt.No.29408
...	PLATES, "Paton" electric type E2874 ∅	1		
<u>H A R D W A R E</u>				
	SCREWS, BA, Br., ch.hd., No.6 x 3/8-in.	Z2/ZB11544	3	Reduce length to 3/16-in. This item is used with, but is not part of, METER MOUNTING ASSEMBLIES.

PLATE REF. NO.	DESIGNATION	CATALOGUE NO.	NO. OFF	DRAWING NO. OR REMARKS
E2 *	PACKS, silica gel	Z1/TSE(W)8-247	1	M. Pt. No. 29353.
	Following four items are used with, but are not part of, PACKS, silica gel :-			
E3	COVERS, retaining, silica gel pack ..	-	1	TSE(W)8-259. M. Pt. No. 29351.
E4	PLATES, support, silica gel pack assembly	-	1	TSE(W)8-326. M. Pt. No. 29269.
	<u>H A R D W A R E</u>			
	SCREWS, BA, Br., ch. hd., No. 6 x $\frac{3}{8}$ -in., anti-corrosive	Z2/ZB11544	4	Reduce length to 3/16-in.
	WASHERS, BA, spring, single coil, sq. section, No. 6, rustproof	Z2/ZB13468	4	
A23	PANEL ASSEMBLIES	-	1	7-way. TSE(W)8-355. M. Pt. No. 29473.
	comprising :-			
...	LEAD GROUP	-	1	M. Pt. No. 32424.
...	PANEL-RIVET ASSEMBLIES, 7-way	-	1	TSE(W)8-357. M. Pt. No. 29483.
...	RESISTORS, R107, 111, 112	-	-	See Page 13 and PLATE K.
A24*	VALVES, electronic, CV448	Z/CV448	1	Circuit ref. MR6. See PLATE K.
	<u>H A R D W A R E</u>			
	NUTS, BA, Br., hex., No. 6, anti-corrosive	Z2/ZB11845	2	
	WASHERS, BA, spring, single coil, sq. section, No. 6, rustproof	Z2/ZB13468	2	
...	PANEL ASSEMBLIES, capacitor mounting comprising :-	-	1	TSE(W)8-382. M. Pt. No. 29428.
...	CAPACITORS, C126	-	1	See Page 13 and PLATE K.
...	PANEL ASSEMBLIES	Ø	1	TSE(W)8-383. M. Pt. No. 29484.
	<u>H A R D W A R E</u>			
	The undermentioned items, though used with PANEL ASSEMBLIES, capacitor mounting, are not part of that assembly.			
	SCREWS, BA, Br., ch. hd., No. 6 x $\frac{3}{8}$ -in., anti-corrosive	Z2/ZB11544	1	Reduce length to $\frac{1}{4}$ -in.
	WASHERS, BA, Br., No. 6, small, anti-corrosive	Z2/ZB14025	1	
	WASHERS, BA, spring, single coil, sq. section, No. 6, rustproof	Z2/ZB13468	1	
A25	PANEL ASSEMBLIES, resistor and capacitor mounting	-	1	TSE(W)8-361. M. Pt. No. 29420.
	comprising :-			
...	CAPACITORS, C108, 103, 109, 102	-	-	See Page 13 and PLATE K.
...	PANEL ASSEMBLIES	Ø	1	TSE(W)8-364. M. Pt. No. 29421.
...	PANEL ASSEMBLIES	Ø	1	TSE(W)8-368. M. Pt. No. 29422.
...	RESISTORS, R116, 103	-	-	See Page 13 and PLATE K.
...	SPACERS, 6BA	Ø	2	TSE(W)8-362. M. Pt. No. 29425.
...	SPACERS, tapped	Ø	2	TSE(W)8-363. M. Pt. No. 29489.
	<u>H A R D W A R E</u>			
	SCREWS, BA, Br., ch. hd., No. 6 x $\frac{3}{8}$ -in., anti-corrosive	Z2/ZB11544	2	Reduce length to 3/16-in.
	WASHERS, BA, spring, single coil, sq. section, No. 6, rustproof	Z2/ZB13468	2	

PLATE REF. NO.	DESIGNATION	CATALOGUE NO.	NO. OFF	DRAWING NO. OR REMARKS
...	PARTITION ASSEMBLIES, chassis comprising :-	-	1	TSE(W)8-359. M. Pt.No.29414.
...*	BUFFERS, rubber ..	Ø Z1/TSE(W)8-212	2	M. Pt.No.29247.
...*	GROMMETS, rubber, "Dunlop", type D1	Ø Z1/ZAA0667	1	
...	PARTITIONS, stencilled ..	Ø -	1	TSE(W)8-559. M. Pt.No.29048.
...	RIVET-BLOCKS, 6BA ..	Ø -	5	TSE(W)8-93. M. Pt.No.29126.
H A R D W A R E				
Undermentioned items are used with, but are not part of, PARTITION ASSEMBLIES, chassis.				
	NUTS, BA, Br., hex., No.6, anti-corrosive ..	Z2/ZB11845	2	
	SCREWS, BA, Br., ch.hd., No.6 x 3/8-in., anti-corrosive ..	Z2/ZB11544	2	Reduce length to 3/16-in.
	WASHERS, BA, spring, single coil, sq.section, No.6, rustproof ..	Z2/ZB13468	2	
D20*	PILOT LAMP HOUSING ASSEMBLIES comprising :-	Z1/TSE(W)8-78	1	M. Pt.No.29289.
D21	HOUSINGS, pilot lamp ..	-	1	TSE(W)8-82. M. Pt.No.29168.
D22	SCREWS, contact, pilot lamp ..	-	1	TSE(W)8-81. M. Pt.No.29223.
D23	WASHERS ..	-	1	TSE(W)8-79. M. Pt.No.15715
D24*	WASHERS, rubber ..	Z1/TSE(W)8-80	1	M. Pt.No.15720.
Undermentioned items are used with, but are not part of, PILOT LAMP HOUSING ASSEMBLIES.				
D25*	LAMPS, pilot, 1.5-v, G.E.C. type 112 ..	Y3/YCA0367	1	Circuit ref. No. LP2. See PLATE K.
D26*	NUTS, ring, pilot lamp ..	Z1/TSE(W)8-40	1	M. Pt.No.29167.
D27*	SPRINGS, pilot lamp ..	Z1/TSE(W)8-262	1	M. Pt.No.25783.
D28*	WASHERS, rubber, pilot lamp housing ..	Z1/TSE(W)8-39	1	Duro 70-80. .690-in. x .507-in. x 1/32-in. M. Pt.No.29244.
	RESISTORS			See Page 13 and PLATE K.
G26	SOCKETS, key, 3-pin .. comprising :-		1	Circuit ref. SK3. See PLATE K. Mounted on front panel.
C27*	BODIES, moulded, key socket ..	Z1/TSE(W)8-307	1	Rubber, 3-hole. M. Pt.No.29123.
C28*	CONTACTS, large, key socket ..	Z1/TSE(W)8-305	1	M. Pt.No.29125.
C29*	CONTACTS, small, key socket ..	Z1/TSE(W)8-306	2	M. Pt.No.29469.
D29*	INSULATING-PLATES, key socket ..	Z1/TSE(W)8-308	1	M. Pt.No.29448.
H A R D W A R E				
	NUTS, BA, Br., hex., No.8, anti-corrosive ..	Z2/GAA2722	3	
	TABS, No.8 BA hole ..	Y3/WB0963	3	TSE(W)8-304.
	WASHERS, BA, Br., No.8, small, anti-corrosive ..	Z2/ZBA0029	3	TSE(W)8-88. M. Pt.No.15716.
	WASHERS, BA, spring, single coil, sq.section, No.8, rustproof ..	Z2/ZB13469	3	

PLATE REF. NO.	DESIGNATION	CATALOGUE NO.	NO. OFF	DRAWING NO. OR REMARKS
...	SPINDLE ASSEMBLIES, crystal matching switch comprising :-	-	1	TSE(W)8-373. M. Pt.No.29458.
D30*	RINGS, "O", .250-in. x .166-in. x .042-in. (Duro 70)	Z1/TSE(W)8-15	4	For crystal matching switch. M. Pt.No.29174.
...	SLEEVES, spindle	∅	1	TSE(W)8-376. M. Pt.No.29475.
D31	SPINDLES, inner, crystal matching switch	-	1	TSE(W)8-374. M. Pt.No.29459.
D32	SPINDLES, outer, crystal matching switch	-	1	TSE(W)8-375. M. Pt.No.29460.
...	WASHERS, 7/16-in.O.D. x .251-in. I.D. ∅	Z1/TSE(W)8-324	1	M. Pt.No.21771. Used with but not part of SPINDLE ASSEMBLIES, crystal matching switch.
...	SPINDLE ASSEMBLIES, function switch comprising :-	-	1	TSE(W)8-346. M. Pt.No.29453.
D33*	RINGS, "O", .250-in. x .166-in. x .042-in. (Duro 70)	Z1/TSE(W)8-15	4	For function switch spindle. M. Pt.No.29174.
...	SLEEVES, spindle	∅	1	TSE(W)8-349. M. Pt.No.29457.
D34	SPINDLES, inner, function switch	-	1	TSE(W)8-347. M. Pt.No.29454.
D35	SPINDLES, outer, function switch	-	1	TSE(W)8-348. M. Pt.No.29455.
A26	SUPPORT ASSEMBLIES, valve comprising :-	-	1	TSE(W)8-295. M. Pt.No.29462. Valve retaining assembly.
A27	BRACKET ASSEMBLIES	-	1	TSE(W)8-474. M. Pt.No.29270.
A28*	CUSHIONS, rubber	Z1/TSE(W)8-210	4	Inside valve retainer. M. Pt.No.29251.
...	PLATES, support, valve	∅	1	TSE(W)8-309. M. Pt.No.29463.
A29*	RETAINERS, valve, rubber	Z1/TSE(W)8-211	4	M. Pt.No.29248.
D36*	SWITCH ASSEMBLIES, crystal matching comprising :-	Z1/TSE(W)8-448	1	M. Pt.No.29435.
...	CAPACITORS, C114-125	∅	1	See Page 13 and PLATE K. M. Pt.No.32421.
...	LEAD GROUP	∅	1	TSE(W)8-560. M. Pt.No.29242.
...	PANELS, capacitor mounting	∅	1	TSE(W)8-450. M. Pt.No.29436.
D37	SWITCHES, 4-position	-	1	Circuit reference SWE.
Undermentioned items are used with, but are not part of, SWITCH ASSEMBLIES, crystal matching.				
...	WASHERS, crystal matching switch	-	2	TSE(W)8-656. M. Pt.No.32163.
H A R D W A R E				
	PINS, keep, split, 1/16-in. x 5/8-in.	G1/GA13976	1	
	SCREWS, BA, Br., ch.hd., No.6 x 3/8-in., anti-corrosive	Z2/ZB11544	2	Reduce length to 1/4-in.
	WASHERS, BA, spring, single coil, sq.section, No.6, rustproof	Z2/ZB13468	2	
Undermentioned items are used on PANELS, capacitor mounting				
	NUTS, BA, Br., hex., No.6, anti-corrosive	Z2/ZB11845	2	
	WASHERS, BA, spring, single coil, sq.section, No.6, rustproof	Z2/ZB13468	2	

PLATE REF. NO.	DESIGNATION	CATALOGUE NO.	NO. OFF	DRAWING NO. OR REMARKS
...	SWITCH ASSEMBLIES, function comprising :-	-	1	TSE(W)8-464. M. Pt. No. 29430.
...	CAPACITORS, C112	∅	1	See Page 13 and PLATE K.
...	LEAD GROUP	∅	1	Wiring loom. M. Pt. No. 32420.
...	RESISTORS, R113, 114	∅	1	See Page 13 and PLATE K.
...*	SWITCHES, function	Z1/TSE(W)8-466	1	Circuit ref. SWC1-6. M. Pt. No. 29431.
	Undermentioned items are used with, but are not part of, SWITCH ASSEMBLIES, function.			
...	CLICKER-PLATES	∅	1	Pt. 7227 material. TSE(W)8-323. M. Pt. No. 29456.
...	PLATES, bearing	∅	1	TSE(W)8-322. M. Pt. No. 16269.
C30*	SWITCHES, press-button, pilot lamp comprising :-	Z1/TSE(W)8-83	1	Circuit ref. SWG. M. Pt. No. 29028
...	COVERS, press-button	∅	1	TSE(W)8-86. M. Pt. No. 29169.
D38*	COVERS, sealing, press-button	Z1/TSE(W)8-85	1	Rubber. M. Pt. No. 29182.
D39*	INSULATORS, pilot lamp press-button	Z1/TSE(W)8-529	1	M. Pt. No. 29029.
D40	PRESS-BUTTONS	-	1	TSE(W)8-84. M. Pt. No. 29031.
D41*	RINGS, "0", .828-in. O.D. x .703-in. I.D. x .062-in.	Z1/TSE(W)8-89	1	Press-button. M. Pt. No. 29176.
D42	SPRINGS, press-button	-	1	TSE(W)8-87. M. Pt. No. 25722.
...	WASHERS	∅	1	TSE(W)8-88. M. Pt. No. 15716.
D43	TERMINAL BLOCKS, front panel, cable assembly comprising :-	-	1	
D44*	GASKETS, rubber, terminal block	Z1/TSE(W)8-28	1	.815-in. x .734-in. x 1/32-in. M. Pt. No. 29246.
D45*	INSULATORS, flat, terminal block	Z1/TSE(W)8-32	1	M. Pt. No. 29196.
D46*	INSULATORS, recessed, terminal block	Z1/TSE(W)8-29	1	M. Pt. No. 29197.
D47*	NUTS, ring, terminal block	Z1/TSE(W)8-33	1	M. Pt. No. 29198.
D48*	PINS, contact, terminal block	Z1/TSE(W)8-31	13	M. Pt. No. 29199.
D49*	SEALS, contact, terminal block	Z1/TSE(W)8-30	2	M. Pt. No. 29177.
A30*	TRANSFORMER AND SCREEN ASSEMBLIES, microphone comprising :-	Z1/TSE(W)8-371	1	Sealed. M. Pt. No. 29118. Circuit ref. TR5.
...	BASE ASSEMBLIES	∅	1	TSE(W)8-183. M. Pt. No. 29342.
...	SCREENS, transformer	∅	1	TSE(W)8-180. M. Pt. No. 29183.
...	STRAPS, mounting	∅	2	TSE(W)8-179. M. Pt. No. 29185.
...	WINDINGS, transformer	∅	1	TSE(W)8-372. M. Pt. No. 29418.
	The undermentioned items are used with, but are not part of TRANSFORMER AND SCREEN ASSEMBLIES, microphone.			
...	SCREWS, 8BA x 3/16-in. H/F hd.	∅	4	
...	SLEEVES, transformer bracket	∅	2	TSE(W)8-252. M. Pt. No. 29249.
...	WASHERS, spring, 8BA	∅	4	

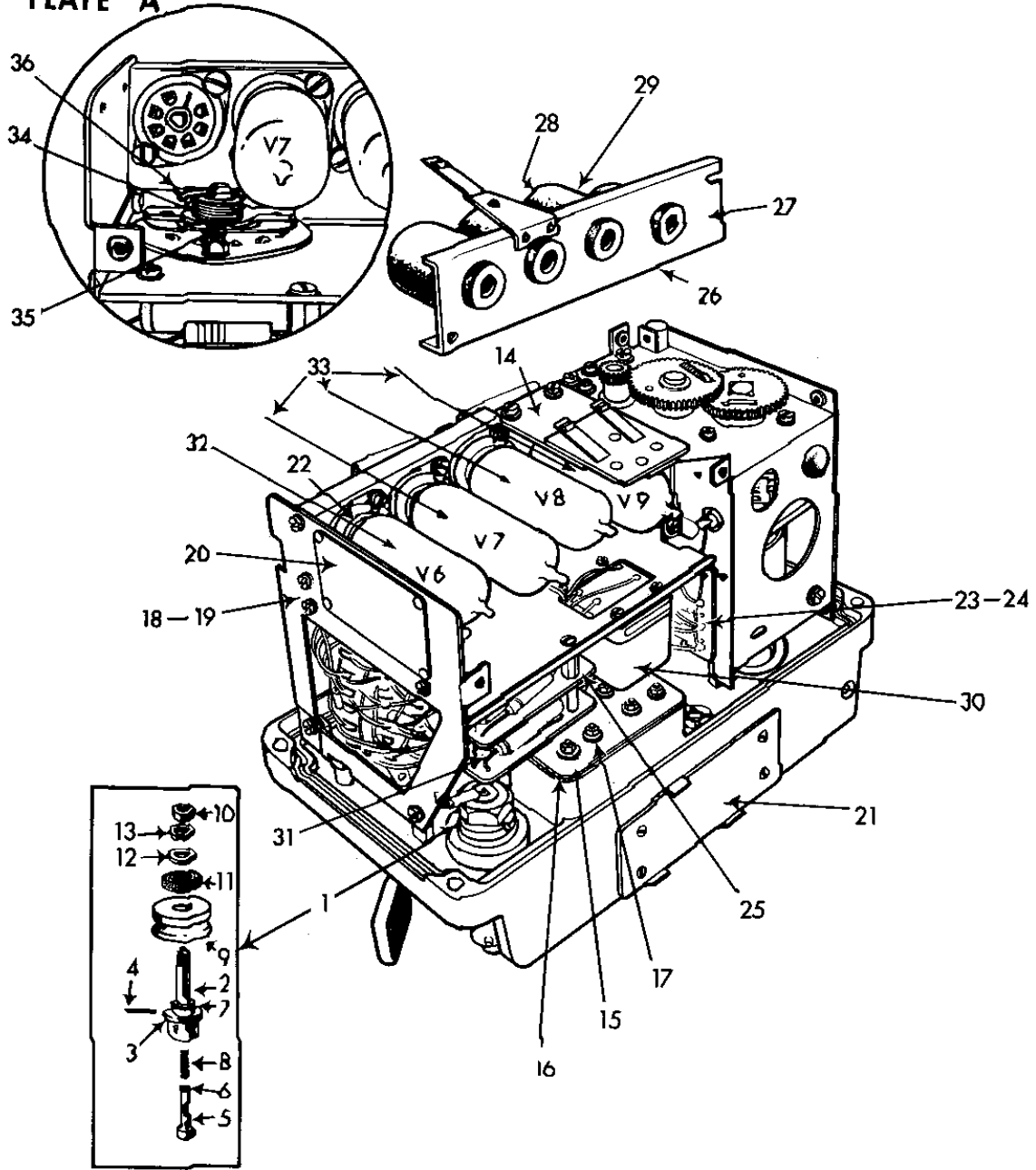
PLATE REF. NO.	DESIGNATION	CATALOGUE NO.	NO. OFF	DRAWING NO. OR REMARKS
C31*	TUNING DIAL ASSEMBLIES comprising :-	Z1/TSE(W)8-442	1	M. Pt. No. 29393.
...*	GEARS, tuning dial	Ø Z1/TSE(W)8-443	1	M. Pt. No. 29396.
...*	MOUNTING PLATE RIVET ASSEMBLIES	Ø -	1	TSE(W)8-445. M. Pt. No. 29397.
...*	PLATES, cursor	Ø -	1	TSE(W)29400.
...*	SPRINGS, tuning dial	Ø Z1/TSE(W)8-404	1	M. Pt. No. 22990. Used with, but not a part of TUNING DIAL ASSEMBLIES.
...*	TUNING UNIT ASSEMBLIES comprising :-	Z1/TSE(W)8-394	1	M. Pt. No. 29362.
...	BEARINGS, front plate	Ø -	1	Front tuning coil assembly. TSE(W)8-400. M. Pt. No. 29377.
...	BEARINGS, rear plate	Ø -	1	Rear tuning assembly. TSE(W)8-401. M. Pt. No. 29378.
...*	BUFFERS, rubber	Ø Z1/TSE(W)8-212	1	M. Pt. No. 29247.
E5	CAPACITORS, C106	Ø -	1	See Page 13 and PLATE K.
...	CHASSIS ASSEMBLIES	Ø -	2	TSE(W)8-406. M. Pt. No. 29364.
E6*	CIRCLIPS, (1/4-in. spindle)	Z1/TSE(W)8-14	-	M. Pt. No. 2524.
...	CLAMPS, R.F. choke	Ø -	1	TSE(W)8-214. M. Pt. No. 31623.
E7*	GEAR ASSEMBLIES, intermediate	Z1/TSE(W)8-428	1	M. Pt. No. 29382.
E8*	GEAR ASSEMBLIES, variable capacitor	Z1/TSE(W)8-432	1	M. Pt. No. 29385.
E9*	INDUCTOR ASSEMBLIES, R.F.	Z1/TSE(W)8-440	1	M. Pt. No. 29391. Circuit ref. L12.
E10*	INDUCTOR ASSEMBLIES, tuning	Z1/TSE(W)8-419	1	M. Pt. No. 29486. Circuit ref. L11.
...	MOUNTING PLATE RIVET ASSEMBLIES	Ø -	1	Mounting for GEAR ASSEMBLY, intermediate. TSE(W)8-436.
...	NUTS, plate	Ø -	3	M. Pt. No. 29388.
...	PINS, locating	Ø -	1	TSE(W)8-402. M. Pt. No. 29379.
E11*	PINIONS, spindle, 21-teeth	Z1/TSE(W)8-403	1	TSE(W)8-407. M. Pt. No. 29493.
D50*	RINGS, "0", .250-in. x .166-in. x .042-in. (Duro 70)	Z1/TSE(W)8-15	2	Tuning unit. M. Pt. No. 29401.
D51*	RINGS, stop, No.2	Z1/TSE(W)8-52	2	For tuning spindle. M. Pt. No. 29174.
D52*	RINGS, stop, No.3	Z1/TSE(W)8-398	1	M. Pt. No. 29141.
D53*	RINGS, stop, No.4	Z1/TSE(W)8-399	1	M. Pt. No. 29381.
...	SET-SCREWS, 6BA	Ø -	4	M. Pt. No. 29488.
E12	SLIDERS, guide rod	Ø -	2	TSE(W)8-192. M. Pt. No. 29323.
E13*	SLIDER ASSEMBLIES	Z1/TSE(W)8-426	1	TSE(W)8-396. M. Pt. No. 29375.
D54*	SPINDLES, tuning	Z1/TSE(W)8-397	1	M. Pt. No. 29373.
...*	SPRINGS, slider drive	Ø Z1/TSE(W)8-395	1	M. Pt. No. 29376.
...	WASHERS, 6BA x 3/8-in. dia.	Ø -	1	M. Pt. No. 25785.
			1	TSE(W)8-405. M. Pt. No. 29406.
	Undermentioned items are used with, but are not part of, TUNING UNIT ASSEMBLIES.			
D55*	PINS, locating	Z1/TSE(W)8-23	1	Used on spindles to locate KNOBS. M. Pt. No. 29030.
<u>H A R D W A R E</u>				
	SCREWS, BA, Br., ch.hd., No.6 x 3/8-in., anti-corrosive	Z2/ZB11544	3	Reduce length to 3/16-in.
A31*	VALVES, electronic - CV448	Z/CV448	1	Circuit ref. MR5. See PLATE K.
A32*	CV785(1T4)	Z/CV785	1	Circuit ref. V6. See PLATE K.
A33*	CV807(3A4)	Z/CV807	3	Circuit ref's. V7-9. See PLATE K.

PLATE REF. NO.	DESIGNATION	CATALOGUE NO.	NO. OFF	DRAWING NO. OR REMARKS
D56*	YOKE ASSEMBLIES comprising :-	Z1/TSE(W)8-387	3	Used with, but not part of, CLICKER-PLATE.
...	SPRINGS, index	∅ -	1	TSE(W)8-389. M. Pt. No. 6982A.
...	YOKES	∅ -	1	TSE(W)8-388. On function and crystal matching switch. M. Pt. No. 6998.
The following items are used with, but are not part of YOKE ASSEMBLIES				
A34*	WASHERS, 7/16-in. O.D. x .251-in. I.D.	Z1/TSE(W)8-324	6	M. Pt. No. 21771.
<u>H A R D W A R E</u>				
A36	BALLS, steel, 3/16-in.	LV6/MT7/BG420-1	6	TSE(W)8-320. M. Pt. No. 6911.
A35	PINS, keep, split, 1/16-in. x 3/8-in.	Z. G1/GA13976	1	

ITEM NO.	DESIGNATION	NO. OFF	CATALOGUE NO.	CIRCUIT REFERENCE	REMARKS
<u>CAPACITORS USED IN TRANSMITTER</u>					
CAPACITORS, mlded, silv'd, mica, -					
			Z1/5910-010-		Circuit diagram and code PLATE K.
1 *	15pF ± 5%, 350-V DC wkg.	1	0761	C114	
2 *	22pF " " " "	1	0762	C115	
3 *	33pF " " " "	1	0763	C116	
4 *	57pF " " " "	1	0764	C117	
5 *	68pF " " " "	1	0765	C125	
6 *	82pF " " " "	1	0766	C118	
7 *	100pF " " " "	1	0767	C124	
8 *	150pF " " " "	1	0768	C119	
9 *	180pF " " " "	1	0769	C123	
10 *	300pF " " " "	1	0770	C122	
11 *	470pF " " " "	1	0771	C121	
12 *	800pF " " " "	1	0772	C120	
CAPACITORS, pap., ins., tub. -					
13 *	.001μF ± 25%, 350-V DC wkg, No.2	3	Z/Z115623	C104,112,128	C105, 2 capacitors in parallel.
14 *	.005μF ± 25%, 200-V DC wkg, No.2	6	Z/Z115626	C101,105,109,113,129.	
15 *	.01μF ± 25%, 200-V DC wkg, No.4	6	Z/Z115627	C102,103,108,110,126,127.	
16 *	CAPACITORS, silv'd, ceramic, tub. - 33pF ± 10%, 500-V DC wkg, No.1	1	Z/Z132283	C107	
17 *	CAPACITORS, variable, 10-225pF, special	1	Z1/TSE(W)8-411	C106	Plate ref E5. M. Pt. No. 29022.
<u>RESISTORS USED IN TRANSMITTER</u>					
RESISTORS, comp. grade 2, ins., 1/2 watt-					
18 *	150-ohms ± 10%	1	Z/Z221130	R116	Meter shunt.
19 *	680-ohms ± 10%	1	Z/Z221214	R104	Diode load.
20 *	3,900-ohms ± 10%	2	Z/Z222079	R105,111	Anode feed and P.A. metering divider.
21 *	5,600-ohms ± 10%	1	Z/Z222100	R114	LT metering multiplier.
22 *	15,000-ohms ± 10%	1	Z/Z222151	R107	P.A. metering divider.
23 *	47,000-ohms ± 10%	1	Z/Z222214	R106	Grid leak.
24 *	100,000-ohms ± 10%	1	Z/Z223037	R108	Aerial load.
25 *	150,000-ohms ± 10%	2	Z/Z223058	R109,115	Anode feed and grid leak.
26 *	220,000-ohms ± 10%	2	Z/Z223079	R101,117	Grid leak and het. osc. H.T. dropper.
27 *	360,000-ohms ± 0% - 5%	1	Z1/ZAA0830	R113	H.T. metering multiplier.
28 *	470,000-ohms ± 10%	3	Z/Z223121	R103,110	P.A. bias feed screen feed.
29 *	470-ohms ± 10%	1	Z/Z221193	R112	P.A. metering and side tone divider.

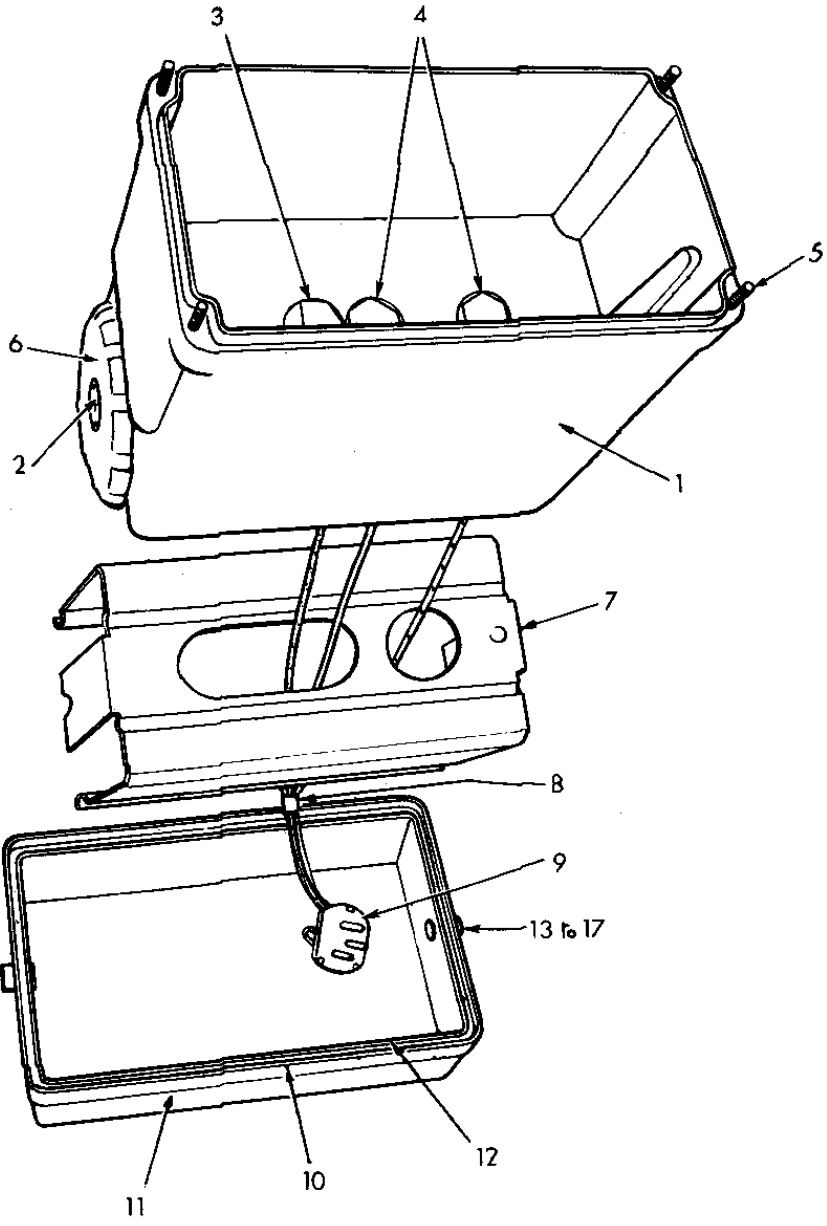
TRANSMITTER ASSEMBLIES

PLATE A



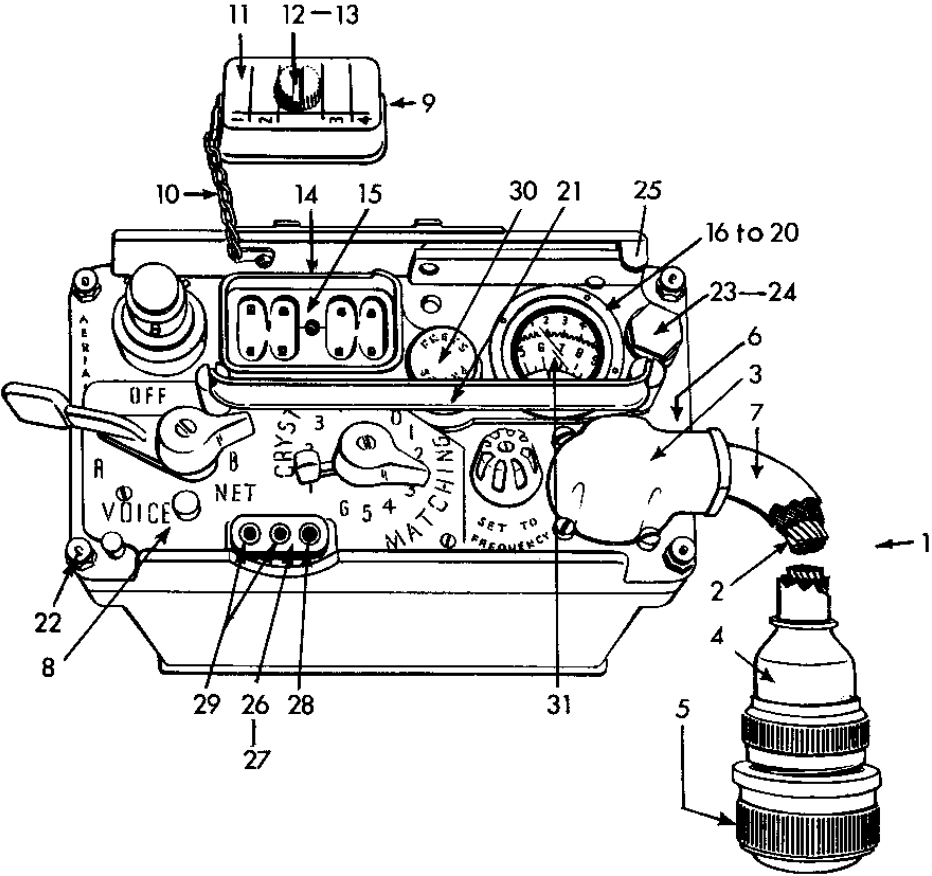
CASE ASSEMBLIES, TRANSMITTER

PLATE B



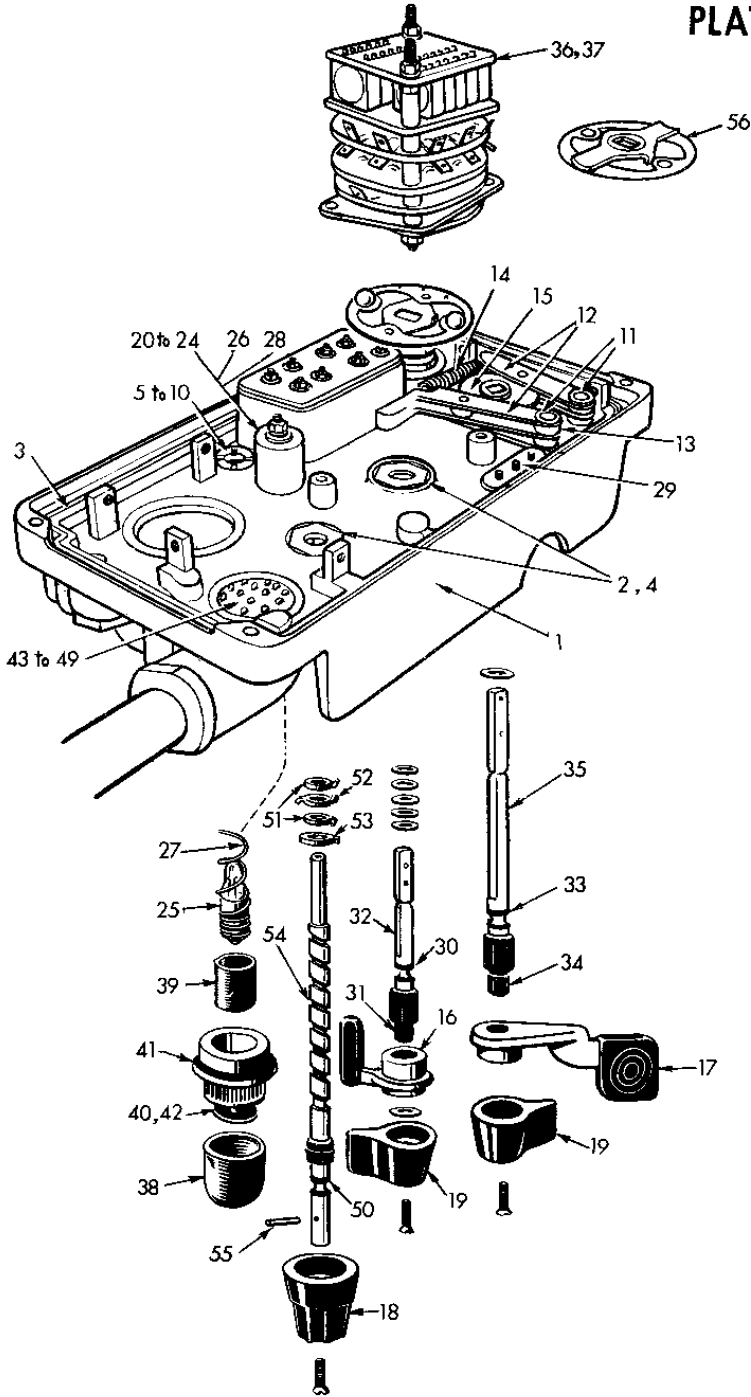
TRANSMITTER ASSEMBLIES

PLATE C



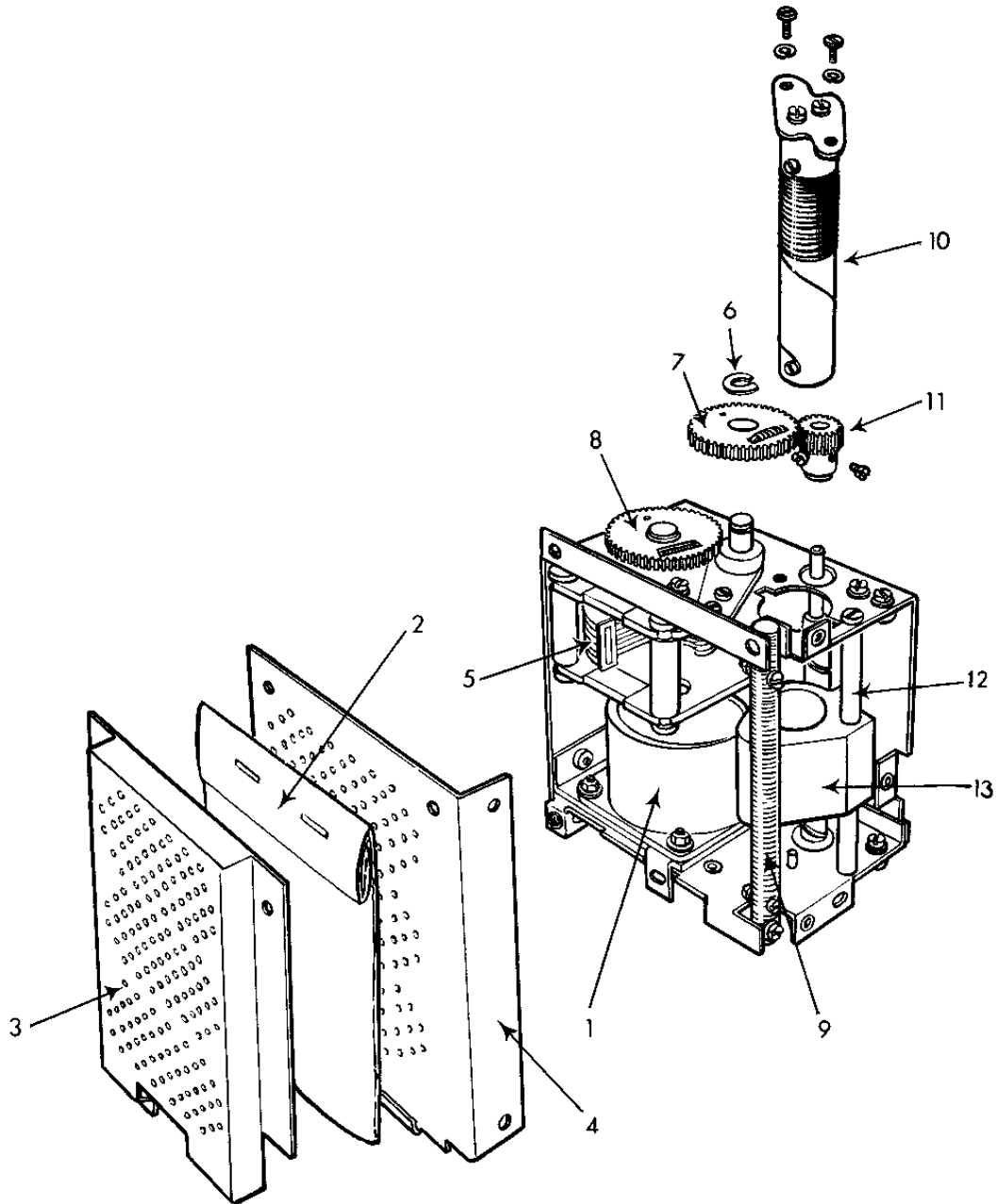
TRANSMITTER ASSEMBLIES

PLATE D



TRANSMITTER ASSEMBLIES

PLATE E



RECEIVER ASSEMBLIES

PAGES 20 TO 32

PLATES F TO J

CIRCUIT DIAGRAM AND CODE

PAGES 34 - 35 PLATE K

PLATE REF. NO.	DESIGNATION	CATALOGUE NO.	NO. OFF	DRAWING NO. OR REMARKS
...	BRACKET ASSEMBLIES, terminal panel	Ø	-	1 TSE(W)8-164. M. Pt. No. 29280.
...	CABLE FORMS (wiring loom) ..	Ø	-	1 TSE(W)8-263. M. Pt. No. 29253.
...	CABLE FORMS (wiring loom) ..	Ø	-	1 TSE(W)8-264. M. Pt. No. 29254.
F1 *	CAPACITOR BOX MOUNTING ASSEMBLIES .. comprising :-	Z1/TSE(W)8-197	-	1 M. Pt. No. 29330.
...	CAPACITOR BOX RIVET ASSEMBLIES	Ø	-	1 TSE(W)8-199. M. Pt. No. 29366.
...	CAPACITORS C12, 28, 29, 10, 22, 37, 6, 3 ..	Ø	-	1 See Page 28 and PLATE K.
...	CAPACITOR TERMINAL PANEL ASSEMBLIES	Ø	-	1 TSE(W)8-204. M. Pt. No. 29331.
...	LEAD-GROUPS (wiring loom) ..	Ø	-	1 M. Pt. No. 32431.
F2 *	VALVES, electronic, CV 448 ..	Z/CV448	-	1 Circuit ref. MR1.
...	CAPACITORS	See Page 28 and PLATE K,
F3 *	CAPACITORS, variable, 3-gang, AWA type 29000	Z1/TSE(W)8-216	-	1 Circuit ref. C4, 7, 13. See PLATE K. M. Pt. No. 29000.
G1 *	CASE ASSEMBLIES, receiver .. comprising :-	Z1/TSE(W)8-284	-	1 M. Pt. No. 29354.
...	CASES, receiver	-	1 TSE(W)8-293. M. Pt. No. 29100.
G2	NUTS, battery contact	-	2 TSE(W)8-288. M. Pt. No. 29257.
G3 *	NUTS, locking wheel ..	Z1/TSE(W)8-286	-	2 M. Pt. No. 29267.
...	PINS, bearing, locking wheel	Ø	-	2 TSE(W)8-290. M. Pt. No. 29255.
...	RINGS, "0", .250-in. x .166-in. x .042-in. (Duro 70)	Ø	Z1/TSE(W)8-15.	2 (For locking wheel bearing pin) M. Pt. No. 29174.
...	SCREWS, battery contact ..	Ø	-	2 Insulated. TSE(W)8-289. M. Pt. No. 29256.
G4 *	SCREWS, front panel to case ..	Z1/TSE(W)8-285	-	4 M. Pt. No. 29355.
...	WASHERS (battery side of battery contact screws) ..	Ø	-	2 TSE(W)8-292. M. Pt. No. 29178.
...	WASHERS (receiver side of battery contact screws)	Ø	-	2 TSE(W)8-291. M. Pt. No. 29187.
G5 *	WHEELS, locking, battery cover ..	Z1/TSE(W)8-567	-	2 M. Pt. No. 32187.
H A R D W A R E				
...	WASHERS, BA, Br., No.2, small, anti-corrosive	Z2/ZB12450	2 TSE(W)8-672. M. Pt. No. 15732.
...	CHASSIS ASSEMBLIES, receiver .. comprising :-	..	-	1 TSE(W)8-90. M. Pt. No. 29279.
...	BEARINGS, hinge ..	Ø	-	1 TSE(W)8-537. M. Pt. No. 29195.
...	BULKHEAD ASSEMBLIES ..	Ø	-	1 TSE(W)8-99. M. Pt. No. 29115.
...	CHASSIS ASSEMBLIES, L.H. ..	Ø	-	1 TSE(W)8-91. M. Pt. No. 29278.
...	CHASSIS ASSEMBLIES, R.H. ..	Ø	-	1 TSE(W)8-94. M. Pt. No. 29277.
...	SUB-CHASSIS ASSEMBLIES ..	Ø	-	1 TSE(W)8-96. M. Pt. No. 29116.

PLATE REF. NO.	DESIGNATION	CATALOGUE NO.	NO. OFF	DRAWING NO. OR REMARKS
...	CLAMP ASSEMBLIES, battery, receiver case comprising :-	-	1	TSE(W)8-268. In battery compartment of receiver case. M. Pt. No. 31693.
G6 *	CLAMPS, battery, receiver case ..	Z1/TSE(W)8-269	1	M. Pt. No. 29258.
G7	CLAMPS, cable ..	-	1	TSE(W)8-270. M. Pt. No. 31631.
G8 *	PLUG AND CABLE ASSEMBLIES, 2-pin ..	Z1/TSE(W)8-271	1	M. Pt. No. 29290. Circuit ref. PL2. Connects battery to receiver.
...	CLAMPS, cable support ..	∅ -	1	TSE(W)8-254. Wiring clamp at base of 13-pin terminal block. M. Pt. No. 17658.
H1 *	CONNECTOR ASSEMBLIES, 17-point, female comprising :-	Z1/TSE(W)8-241	1	M. Pt. No. 29465. Connects receiver to transmitter; affixed to front panel.
H2	CABLE, "Telcon" TA 70-119 ..	Y3/AWA/TA70-119	7-in.	
...	CONES ..	-	1	TSE(W)8-242. M. Pt. No. 29190.
H3	COVERS, cable entry, front panel ..	-	1	TSE(W)8-246. M. Pt. No. 29194.
H4	COVERS, socket ..	-	1	TSE(W)8-561. M. Pt. No. 29181.
...	NUTS ..	∅ -	1	TSE(W)8-245. M. Pt. No. 29193.
H5 *	RINGS, "O", .938-in. x 1.062-in. x .062-in. ..	Z1/TSE(W)8-261	1	M. Pt. No. 29243. Used under front panel cable entry cover. M. Pt. No. 29189.
H6 *	SLEEVES, rubber, 7-in. lg. ..	Z1/TSE(W)8-562	1	
H7 *	SOCKETS, 17-pin, "Bendix/Technico" type AD440 ..	Z1/ZAA0668	1	Circuit ref. SK1.
...	WASHERS ..	∅	1	TSE(W)8-244. M. Pt. No. 29192.
H A R D W A R E				
The undermentioned items are used with, but are not part of CONNECTOR ASSEMBLIES, 17-point, female.				
	SCREWS, BA, Br., ch. hd., No. 4 x 3/16-in., anti-corrosive ..	Z2/ZB12802	1	
	SCREWS, BA, Br., ch. hd., No. 4 x 3/8-in., anti-corrosive ..	Z2/ZB11497	3	
	WASHERS, BA, spring, single coil, sq. section, No. 4, rustproof ..	Z2/ZB13467	4	
F4 *	CONTACT ASSEMBLIES, battery comprising :-	Z1/TSE(W)8-166	1	M. Pt. No. 29334.
...	CONTACT ASSEMBLIES ..	-	1	TSE(W)8-168. M. Pt. No. 29337.
...	PANELS, insulating ..	∅ -	1	TSE(W)8-167. M. Pt. No. 29340.
The undermentioned item is used with but is not part of CONTACT ASSEMBLIES, battery.				
F5 *	PANELS, insulating, bottom, battery connection ..	Z1/TSE(W)8-253	1	M. Pt. No. 29341.
G9 *	COVER ASSEMBLIES, battery comprising :-	Z1/TSE(W)8-277	1	M. Pt. No. 29260.
G10	COVERS, battery ..	-	1	TSE(W)8-283. M. Pt. No. 29102.
G11 *	GASKETS, battery cover, 5.787-in. x 3.286-in. x .125-in. ..	Z1/TSE(W)8-278	1	M. Pt. No. 29170.
G12	PINS, bearing ..	-	2	TSE(W)8-281. M. Pt. No. 29262.
G13	RINGS, "O", .187-in. x .103-in. x .042-in. ..	Z1/TSE(W)8-19	2	M. Pt. No. 29265. Fits on bearing pin.

PLATE REF. NO.	DESIGNATION	CATALOGUE NO.	NO. OFF	DRAWING NO. OR REMARKS
	COVER ASSEMBLIES, battery (contd.)			
G14	ROLLERS, bearing pin	-	2	TSE(W)8-279. M. Pt. No. 29264.
G15	SPACERS, bearing pin	-	2	TSE(W)8-282. M. Pt. No. 29261.
G16	WASHERS, bearing pin	-	2	TSE(W)8-280. M. Pt. No. 29263.
J1 *	COVERS, chassis, bottom (stencilled) .. comprising :-	Z1/TSE(W)8-213	1	M. Pt. No. 29328.
J2 *	BUFFERS, rubber	Z1/TSE(W)8-212	2	M. Pt. No. 29247.
	DIAL DRIVE ASSEMBLIES	-	1	TSE(W)8-64. Mounted on front panel. M. Pt. No. 29285.
J3 *	DIAL SCALE SUB-ASSEMBLIES	Z1/TSE(W)8-72	1	M. Pt. No. 29286.
...	FRONT MOUNTING PLATE ASSEMBLIES ..	Ø	1	TSE(W)8-69. M. Pt. No. 29284.
...	MOUNTING PLATES, dial drive, rear ..	Ø	1	TSE(W)8-67. M. Pt. No. 29318.
...	SPINDLES, scale	Ø	1	TSE(W)8-66. M. Pt. No. 29319.
H8 *	DIAL WINDOW ASSEMBLIES	Z1/TSE(W)8-60	1	M. Pt. No. 29160.
H9	GASKETS, dial window	-	1	TSE(W)8-63. M. Pt. No. 29172. 1.120-in. OD x 1.065-in. ID top, 1.000-in. ID lower.
H10*	GLASS, dial window	Z1/TSE(W)8-61	1	M. Pt. No. 29161.
H11	WINDOWS, dial	-	1	TSE(W)8-62. M. Pt. No. 29162.
	The undermentioned item is used with, but is not part of DIAL WINDOW ASSEMBLIES.			
H12*	RINGS, "0", 1.23/64-in. x 1.56/64-in.	Z1/TSE(W)8-21	1	(Duro 40) M. Pt. No. 29171. (Dial window).
...	FRONT-PANEL ASSEMBLIES	-	1	TSE(W)8-5. M. Pt. No. 29120.
...	comprising :-			
...*	BALLS, steel, 1/8-in. dia.	Ø LV6/MT Z/BG-418-Z	1	M. Pt. No. 29312.
...*	BEARINGS, insert, control spindle ..	Ø Z1/TSE(W)8-10	2	M. Pt. No. 29312.
...	BEARING-SCREWS, main drive spindle ..	Ø	1	TSE(W)8-17. M. Pt. No. 29148.
...	BUTTONS, indicator, band, blue/orange ..	Ø	2	
J4 *	CIRCLIPS	Z1/TSE(W)8-14	3	M. Pt. No. 2524. One on frequency band spindle, one on volume control spindle, one on tuning spindle.
...	CLAMPS, cable	Ø	1	TSE(W)8-256. M. Pt. No. 29387.
...	CLAMPS, cable	Ø	1	TSE(W)8-257. M. Pt. No. 29402.
J14*	CLICKER PLATE AND SPINDLE ASSEMBLIES	Z1/TSE(W)8-700	1	M. Pt. No. 30373.
J5 *	FRONT-PANELS, receiver	Z1/TSE(W)8-6	1	M. Pt. No. 29101.
J6 *	GASKETS, front-panel	Z1/TSE(W)8-294	1	Rubber. M. Pt. No. 29173.
H13*	HANDLES, carrying, receiver	Z1/TSE(W)8-7	1	M. Pt. No. 29305.
J7 *	KNOBS, lever, wave change switch ..	Z1/TSE(W)8-260	1	M. Pt. No. 29082.
J8 *	KNOBS, main drive, tuning and volume ..	Z1/TSE(W)8-22	2	M. Pt. No. 29084.
...	LEAD-GROUPS (wiring loom)	Ø	1	M. Pt. No. 32440.
...	NAMEPLATES	Ø	1	TSE(W)8-567. M. Pt. No. 31689.
H14*	NUTS, front-panel to case	Z1/TSE(W)8-296	4	M. Pt. No. 29356. Used on front panel to case screws - Case Assemblies, receiver.
J9 *	PINS, locating	Z1/TSE(W)8-23	2	M. Pt. No. 29030. For volume control and frequency knobs.
...	PLATES, bearing, main drive spindle ..	Ø	1	TSE(W)8-16. M. Pt. No. 29147.
J10*	PLATES, index, wave change switch ..	Z1/TSE(W)8-26	1	M. Pt. No. 29310.
J11*	PLATES, locking, drive spindle	Z1/TSE(W)8-12	1	Frequency tuning. M. Pt. No. 29159

PLATE REF. NO.	DESIGNATION	CATALOGUE NO.	NO. OFF	DRAWING NO. OR REMARKS
	FRONT-PANEL ASSEMBLIES (contd.)			
...*	RINGS, "O", .250-in. x .166-in. x .042-in.	Ø Z1/TSE(W)8-15	4	M. Pt. No. 29174. 2 off, on function switch spindle and 2 off, on locking spindle assemblies.
H15*	RINGS, "O", .343-in. .218-in. ..	Z1/TSE(W)8-315	1	M. Pt. No. 29245. For list vent seal screws.
...*	RINGS, "O", 7/16-in. x 5/16-in., (Duro 70)	Ø Z1/TSE(W)8-11	2	M. Pt. No. 29180. For control spindle on insert bearing.
...	RIVETS, handle	Ø -	2	TSE(W)8-8. M. Pt. No. 29306.
...	RIVETS, handle catch, receiver ..	Ø -	1	TSE(W)8-9. M. Pt. No. 29307.
J12*	SCREWS, front panel mounting hinge ..	Z1/TSE(W)8-267	1	M. Pt. No. 29321.
H16*	SCREWS, test vent seal ..	Z1/TSE(W)8-316	1	M. Pt. No. 29271.
J13*	SPINDLES, frequency tuning ..	Z1/TSE(W)8-13	1	M. Pt. No. 29142.
J15*	GROMMETS, rubber, "Dunlop" type D1 ..	Z1/ZAA0669	3	
J16*	HOLDERS, valve, 7-pin, miniature ..	Z1/ZAA0649	5	M. Pt. No. 27864.
J17	HUMIDITY INDICATOR ASSEMBLIES comprising :-		1	
J18*	GASKETS, humidity indicator ..	Z1/TSE(W)8-41	1	.375-in. x .291-in. x 1/32-in. M. Pt. No. 29179.
J19*	GLASS, window, humidity indicator ..	Z1/TSE(W)8-42	1	M. Pt. No. 29274.
J20*	INDICATORS, humidity ..	Z1/TSE(W)8-43	1	M. Pt. No. 29275.
J21*	NUTS, ring, humidity indicator ..	Z1/TSE(W)8-45	1	M. Pt. No. 29272.
J22	WASHERS, humidity indicator, Br. ..	-	1	TSE(W)8-44. M. Pt. No. 29273.
F6 *	INDUCTOR AND SCREEN ASSEMBLIES, aerial comprising :-	Z1/TSE(W)8-144	1	M. Pt. No. 29067. Circuit ref. L1, L2 and L3.
...	FORMER ASSEMBLIES ..	Ø -	1	L1 - 2-4.5Mc/s-Aerial Tuning.
...	SCREEN CAN ASSEMBLIES ..	Ø -	1	L2 - 2-10Mc/s-Aerial Coupling.
				L3 - 4.5-10Mc/s-Aerial Tuning.
				TSE(W)8-145. M. Pt. No. 29064.
				TSE(W)8-147. M. Pt. No. 29065.
F7 *	INDUCTOR AND SCREEN ASSEMBLIES, heterodyne oscillator .. comprising :-	Z1/TSE(W)8-134	1	M. Pt. No. 29345. Circuit ref. L10.
...	CAPACITORS, C33, 34, 35 ..	Ø -	1	See Page 28 and PLATE K.
...	FORMER ASSEMBLIES ..	Ø -	1	TSE(W)8-136. M. Pt. No. 29347.
...	LEAD-GROUP ..	Ø -	1	M. Pt. No. 29497.
...	LEAD-GROUP ..	Ø -	1	M. Pt. No. 32433.
...	SCREEN CAN ASSEMBLIES ..	Ø -	1	TSE(W)8-148. M. Pt. No. 29079.

PLATE REF. NO.	DESIGNATION	CATALOGUE NO.	NO. OFF	DRAWING NO. OR REMARKS
F8 *	INDUCTOR AND SCREEN ASSEMBLIES, oscillator comprising :-	Z1/TSE(W)8-158	1	M. Pt. No. 29074. Circuit ref. L6, L7, L8, L9. L6 - 2-4.5Mc/s. L7 - 2-4.5Mc/s. L8 - 4.5-10Mc/s. L9 - 4.5-10Mc/s.
...	CAPACITORS, C14, 15	Ø	-	See Page 28 and PLATE K.
...	FORMER ASSEMBLIES	Ø	-	TSE(W)8-150. M. Pt. No. 29069.
...	LEAD-GROUP	Ø	-	M. Pt. No. 29498.
...	SCREEN CAN ASSEMBLIES	Ø	-	TSE(W)8-162. M. Pt. No. 29061.
...	SUPPORTS	Ø	-	M. Pt. No. 29081.
F9 *	INDUCTOR AND SCREEN ASSEMBLIES, R.F. .. comprising :-	Z1/TSE(W)8-149	1	M. Pt. No. 29068. Circuit ref. L4, L5. L4 - 4.5-10Mc/s - Anode tuning. L5 - 2-4.5Mc/s - Anode tuning.
...	FORMER ASSEMBLIES	Ø	-	TSE(W)8-145. M. Pt. No. 29064.
...	SCREEN CAN ASSEMBLIES	Ø	-	TSE(W)8-147. M. Pt. No. 29065.
J23*	INDUCTORS, 60µH	Z1/TSE(W)8-570	1	Filament choke. Circuit ref. L13. M. Pt. No. 32159.
...*	KITS, capacitor, 3-30pF, special each comprising :-	Z1/TSE(W)8-527	6	M. Pt. No. 31695. Circuit ref. C1, 2, 8, 9, 20, 21.
...*	CAPACITORS, 3-30pF, "Stromberg Carlson" type	Ø	-	M. Pt. No. 30364. See Page 28 and PLATE K.
...	SPACERS	Ø	-	TSE(W)8-250. M. Pt. No. 29439.
...	CUSHIONS	Ø	-	TSE(W)8-249. M. Pt. No. 29477.
...*	LOCKING SPINDLE ASSEMBLIES .. comprising :-	Z1/TSE(W)8-55	1	M. Pt. No. 29287.
J24	LEVERS, locking spindle	-	1	TSE(W)8-538. M. Pt. No. 29232.
J25	PINS, locking spindle lever	-	1	TSE(W)8-57. M. Pt. No. 29314.
J26	SPINDLES, locking	-	1	TSE(W)8-59. M. Pt. No. 29137.
The undermentioned items are used with, but are not part of LOCKING SPINDLE ASSEMBLIES.				
J27*	CIRCLIPS	Z1/TSE(W)8-20	1	M. Pt. No. 2537.
J28*	RINGS, "O", .250-in. x .166-in. x .042-in.	Z1/TSE(W)8-15	2	M. Pt. No. 29174.
F10*	PACKS, silica gel	Z1/TSE(W)8-247	2	M. Pt. No. 29353.
The following item is used with, but is not a part of, PACKS, silica gel.				
F11	COVERS, retaining, silica gel pack	-	2	TSE(W)8-259. M. Pt. No. 29351.
<u>H A R D W A R E</u>				
	SCREWS, BA, Br., ch. hd., No. 6 x $\frac{3}{8}$ -in. anti-corrosive	Z2/ZB11544	2	Reduce length to 3/16-in.
	WASHERS, BA, spring, single coil, sq. section, No. 6, rustproof	Z2/ZB13468	2	

PLATE REF. NO.	DESIGNATION	CATALOGUE NO.	NO. OFF	DRAWING NO. OR REMARKS
J29	PARTITIONS	-	1	TSE(W)8-255. M. Pt. No. 29357.
J30*	PILOT LAMP HOUSING ASSEMBLIES .. comprising :-	Z1/TSE(W)8-78	1	M. Pt. No. 29289.
J31	HOUSINGS, pilot lamp	-	1	TSE(W)8-82. M. Pt. No. 29168.
J32	SCREWS, contact, pilot lamp	-	1	TSE(W)8-81. M. Pt. No. 29223.
J33	WASHERS	-	1	TSE(W)8-79. M. Pt. No. 15715.
J34*	WASHERS, rubber	Z1/TSE(W)8-80	1	M. Pt. No. 15720.
The following items are used with, but are not a part of, PILOT LAMP HOUSING ASSEMBLIES.				
J35*	LAMPS, pilot, 1.5 volt, GEC type 112 ..	Y3/YCA0367	1	Circuit ref. LP1. See PLATE K.
J36*	NUTS, ring, pilot lamp	Z1/TSR(W)8-40	1	M. Pt. No. 29167.
J37*	SPRINGS, pilot lamp	Z1/TSE(W)8-262	1	M. Pt. No. 25783.
J38*	WASHERS, rubber, pilot lamp housing ..	Z1/TSE(W)8-39	1	M. Pt. No. 29244. .690-in. x .507-in. x 1/32-in.
...	PLATES, trimmer mounting	Ø	1	TSE(W)8-251. M. Pt. No. 29348.
...*	POTENTIOMETERS, 1.0 megohm	Ø Z1/TSE(W)8-71	1	M. Pt. No. 29496. Circuit ref. RV1. UCC. YF LOG 502.
...*	RESISTORS			See Page 28 and PLATE K.
H17	SOCKETS, 10-pin, headset and handset .. comprising :-	-	1	Dual 5. 'Phone/Microphone. Circuit ref. SK2.
H18*	BODIES, moulded, 10-pin socket	Z1/TSE(W)8-34	1	M. Pt. No. 29144.
J39*	CONTACTS, 10-pin socket	Z1/TSE(W)8-35	10	M. Pt. No. 29124.
J40*	INSULATING-PLATES, 10-pin socket	Z1/TSE(W)8-36	1	M. Pt. No. 29146.
...	TAGS, solder	Ø	5	TSE(W)8-37. M. Pt. No. 29308.
H A R D W A R E				
	NUTS, BA, Br., hex., No.8, anti-corrosive	Z2/GAA2722	10	TSE(W)8-38. M. Pt. No. 29309.
	WASHERS, BA, Br., No.8, small, anti-corrosive	Z2/ZBA0029	10	
	WASHERS, BA, spring, single coil, sq. section, No.8, rustproof	Z2/ZB13469	10	
J41*	SPIRAL GEAR ASSEMBLIES, variable capacitor comprising :-	Z1/TSR(W)8-191	1	M. Pt. No. 29282.
...	BOSSSES, spiral gear	Ø	1	TSE(W)8-196. M. Pt. No. 29322.
...	GEARS, spiral, inside	Ø	1	TSE(W)8-194. M. Pt. No. 29130.
...	GEARS, spiral, outside	Ø	1	TSE(W)8-195. M. Pt. No. 29128.
...	SET-SCREWS	Ø	2	TSE(W)8-192. M. Pt. No. 29323.
J42*	SPRINGS, spiral gear	Z1/TSE(W)8-76	1	M. Pt. No. 25784.
H19*	SWITCHES, press-button, pilot lamp .. comprising :-	Z1/TSE(W)8-83	1	M. Pt. No. 29028. Circuit ref. SWE.
...	COVERS, press button	Ø	1	TSE(W)8-86. M. Pt. No. 29169.
J43*	COVERS, sealing, press-button	Z1/TSE(W)8-85	1	Rubber. M. Pt. No. 29182.
J44*	INSULATORS, pilot lamp press button ..	Z1/TSR(W)8-529	1	M. Pt. No. 29029.

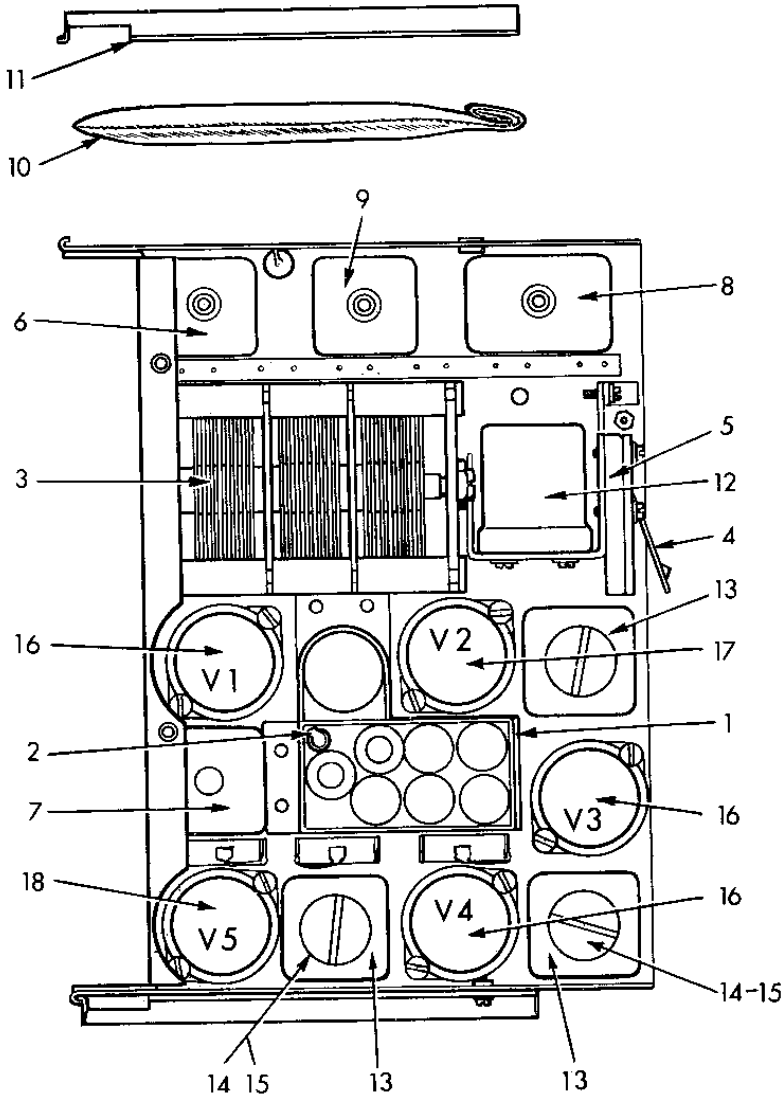
PLATE REF. NO.	DESIGNATION	CATALOGUE NO.	NO. OFF	DRAWING NO. OR REMARKS	
	SWITCHES, press-button, pilot lamp (contd.)				
J45	PRESS-BUTTONS	-	1	TSE(W)8-84. M. Pt. No. 29031.	
J46*	RINGS, "O", .828-in. OD x .703-in. ID x .062-in.	Z1/TSE(W)8-89	1	M. Pt. No. 29176.	
J47	SPRINGS, press-button	-	1	TSE(W)8-87. M. Pt. No. 25722.	
	WASHERS	-	1	TSE(W)8-86. M. Pt. No. 15716.	
J48	TERMINAL BLOCKS, front panel cable assembly comprising :-	-	1	Mounted in front panel.	
J49*	GASKETS, rubber, terminal block ..	Z1/TSE(W)8-28	1	M. Pt. No. 29246. .815-in. x .734-in. x 1/32-in.	
J50*	INSULATORS, flat, terminal block ..	Z1/TSE(W)8-32	1	M. Pt. No. 29196. Fits under terminal block ring nut.	
J51*	INSULATORS, recessed, terminal block ..	Z1/TSE(W)8-29	1	M. Pt. No. 29197. For gasket.	
J52*	NUTS, ring, terminal block ..	Z1/TSE(W)8-33	1	M. Pt. No. 29198.	
J53*	PINS, contact, terminal block ..	Z1/TSE(W)8-31	13	M. Pt. No. 29199.	
J54*	SEALS, contact, terminal block ..	Z1/TSE(W)8-30	2	M. Pt. No. 29177.	
...	TERMINAL PANEL ASSEMBLIES	Ø	-	1	TSE(W)8-514. Mounted on front panel.
J55	TERMINAL PANEL ASSEMBLIES	-	1	M. Pt. No. 30344. Supports Capacitors C22,25,27 and Resistors R7,12,17,19.	
J56	TOP COVER ASSEMBLIES, receiver comprising :-	-	1	TSE(W)8-208. M. Pt. No. 29329.	
J57*	BUFFERS, rubber	Z1/TSE(W)8-212	1	M. Pt. No. 29247.	
J58	CONTACT ASSEMBLIES	-	1	TSE(W)8-168. M. Pt. No. 29337.	
...	COVERS, top	-	1	TSE(W)8-203. M. Pt. No. 29163.	
J59*	CUSHIONS, rubber	Z1/TSE(W)8-210	5	M. Pt. No. 29251. Inside valve retainer.	
J60*	RETAINERS, valve, rubber	Z1/TSE(W)8-211	5	M. Pt. No. 29248.	
F12*	TRANSFORMER AND BRACKET ASSEMBLIES comprising :-	Z1/TSE(W)8-174	1	M. Pt. No. 29333. Circuit ref. TR4. Output transformer.	
...	BRACKET ASSEMBLIES	Ø	-	1	TSE(W)8-175. M. Pt. No. 29114.
...	LEAD-GROUP	Ø	-	1	M. Pt. No. 20953.
...	TRANSFORMER ASSEMBLIES	Ø	-	1	TSE(W)8-178. M. Pt. No. 29117.
F13*	TRANSFORMER AND SCREEN ASSEMBLIES, IF.. .. . each comprising :-	Z1/TSE(W)8-114	3	M. Pt. No. 29066. Circuit ref. TR1, TR2, TR3. 1st., 2nd., 3rd. I. F.	
...	INSULATORS	-	1	TSE(W)8-115. M. Pt. No. 28788.	
J61*	RINGS, "O", .187-in. x .103-in. x .042-in.	Z1/TSE(W)8-19	1	M. Pt. No. 29265. Bottom screw of I. F. transformer.	
F14*	RINGS, "O", .343-in. x .218-in.	Z1/TSE(W)8-315	1	M. Pt. No. 29245. Top screw of I. F. transformer.	
...	SCREEN CAN ASSEMBLIES	Ø	-	1	TSE(W)8-120. M. Pt. No. 29045.
J62*	SCREWS, sealing, bottom	Z1/TSE(W)8-119	1	M. Pt. No. 29050.	
F15*	SCREWS, sealing, top	Z1/TSE(W)8-116	1	M. Pt. No. 29434.	
...	WINDING ASSEMBLIES	Ø	-	1	TSE(W)8-126. M. Pt. No. 29059.

PLATE REF. NO.	DESIGNATION	CATALOGUE NO.	NO. OFF	DRAWING NO. OR REMARKS
F16*	VALVES. electronic -			
F17*	CV785 (1T4)	.. Z/CV785	3	Circuit ref. V1, V3, V4.
F18*	CV782 (1R5)	.. Z/CV782	1	Circuit ref. V2.
	CV784 (1R5)	.. Z/CV784	1	Circuit ref. V5.
J63*	WAVE CHANGE SWITCH ASSEMBLIES ..	Z1/TSE(W)8-111	1	M. Pt.No.29281. Circuit ref.SWA.
	comprising :-			
...	BRACKETS, link-bar, wave change switch	∅ -	1	TSE(W)8-113. M. Pt.No.29324.
...	NUTS, worm, wave change switch	∅ -	1	TSE(W)8-258. M. Pt.No.29138.
J64*	SCREWS, pivot link-bar, wave change switch ..	Z1/TSE(W)8-541	2	M. Pt.No.29325.
...	SWITCH ASSEMBLIES ..	∅ -	1	TSE(W)8-101. M. Pt.No.29121.
J65*	WORM DRIVE SHAFT ASSEMBLIES ..	Z1/TSE(W)8-47	1	M. Pt.No.29288. Mounted on front panel.
	comprising :-			
...	BALLS, steel, $\frac{1}{2}$ -in. dia. ..	∅ LV6/MT7/EG-418-Z	2	
...	DRIVE SHAFT AND WORM ..	∅	1	TSE(W)8-54. M. Pt.No.29127.
J66*	GEARS, spiral Z1/TSE(W)8-49	1	M. Pt.No.29129.
...	NUTS, BA, Br., Hex., No.2, anti-corrosive ..	∅ Z2/ZBA11844	2	
J67*	RINGS, stop, drive shaft Z1/TSE(W)8-53	1	M. Pt.No.29140.
J68*	RINGS, stop, No.2 Z1/TSE(W)8-52	3	M. Pt.No.29141.
...	SCREWS, bearing, worm drive shaft	∅ Z1/TSE(W)8-18	2	M. Pt.No.29133.
...	SCREWS, stop ..	∅ -	1	TSE(W)8-51. M. Pt.No.29132.
...	SLEEVES, worm drive shaft ..	∅ -	1	TSE(W)8-50. M. Pt.No.29134.
...	SPRINGS, drive shaft and worm	∅ Z1/TSE(W)8-701	1	M. Pt.No.25768.
J69*	SPRINGS, loading, worm drive shaft ..	Z1/TSE(W)8-48	1	M. Pt.No.25735. (Steel wire spring, 24 SWG).

ITEM NO.	DESIGNATION	NO. OFF	CATALOGUE NO.	CIRCUIT REFERENCE	REMARKS	
<u>CAPACITORS USED IN RECEIVER</u>						
CAPACITORS, mlded, silv'd, mica,-						
1 *	0.0018 μ F \pm 2 $\frac{1}{2}$ %, 350-V DC wkg.	..	1 Z/AZ1757	C14	Circuit diagram and code PLATE K.	
2 *	100pF \pm 5%, 350-V DC wkg.	..	1 Z1/5910-010-0767	C32		
3 *	150pF \pm 5%, 350-V DC wkg.	..	6 Z1/5910-010-0768	C18,19,23,24,30,31		
4 *	220pF \pm 5%, 350-V DC wkg.	..	1 Z1/AZ1760	C34		
5 *	470pF \pm 2 $\frac{1}{2}$ %, 350-V DC wkg.	..	1 Z/AZ1759	C35		
6 *	470pF \pm 5%, 350-V DC wkg.	..	3 Z1/5910-010-0771	C25,27,38		
7 *	900pF \pm 2 $\frac{1}{2}$ %, 350-V DC wkg.	..	1 Z/AZ1758	C15		
CAPACITORS, pap., ins., tub. -						
8 *	0.005 μ F \pm 25%, 200-V DC wkg.	..	1 Z/Z115626	028		
9 *	0.1 μ F \pm 20%, 200-V DC wkg.	..	7 Z/Z115631	C6,10,12,22,26,29,37.		
10 *	0.1 μ F \pm 25%, 200-V DC wkg.	..	1 Z/Z115627	C39		
11 *	0.4 μ F \pm 20%, 200-V DC wkg.	..	1 Z/AZ1709	C3		
CAPACITORS, silv'd, ceramic, tub. -						
12 *	4.7pF \pm 20%, 500-V DC wkg.	..	1 Z/AZ1761	C42		
13 *	5pF \pm 10%, 200-V DC wkg.	..	1 Z/AZ1239	C36		
14 *	12pF \pm 20%, 500-V DC wkg.	..	3 Z/AZ1756	C16,40,41		
15 *	100pF \pm 20%, 500-V DC wkg.	..	4 Z/AZ1755	C5,11,17,33		
16 *	CAPACITORS, variable, 3-gang, AWA type 29,000	3 Z1/TSE(W)8-216	C4,7,13	M. Pt. No. 29000. PLATE ref. F3.	
17 *	CAPACITORS, 3-30pF, "Stromberg Carlson" type	6 (see remarks)	C1,2,8,9,20,21	M. Pt. No. 30361. Issued with "KITS, capacitor, 3-30pF, special" - Cat. No. Z1/TSE(W)8-527, M. Pt. No. 31695.	
<u>RESISTORS USED IN RECEIVER</u>						
RESISTORS, comp., grade 2, ins., $\frac{1}{2}$ watt -						
18 *	1500-ohms \pm 10%	1 Z/Z222025	R6	IRC B7S $\frac{1}{2}$	
19 *	10,000-ohms \pm 10%	5 Z/Z222130	R2,8,9,20,21		
20 *	18,000-ohms \pm 10%	1 Z/Z222163	R13		
21 *	47,000-ohms \pm 10%	3 Z/Z222214	R12,17,19		
22 *	100,000-ohms \pm 10%	1 Z/Z223037	R5		
23 *	150,000-ohms \pm 10%	1 Z/Z223058	R11		
24 *	47,000-ohms \pm 10%	3 Z/Z223121	R1,4,10		
25 *	2.2-megohms \pm 10%	2 Z/Z223205	R7,14		
26 *	6.8-megohms \pm 10%	2 Z/Z223268	R15,18		

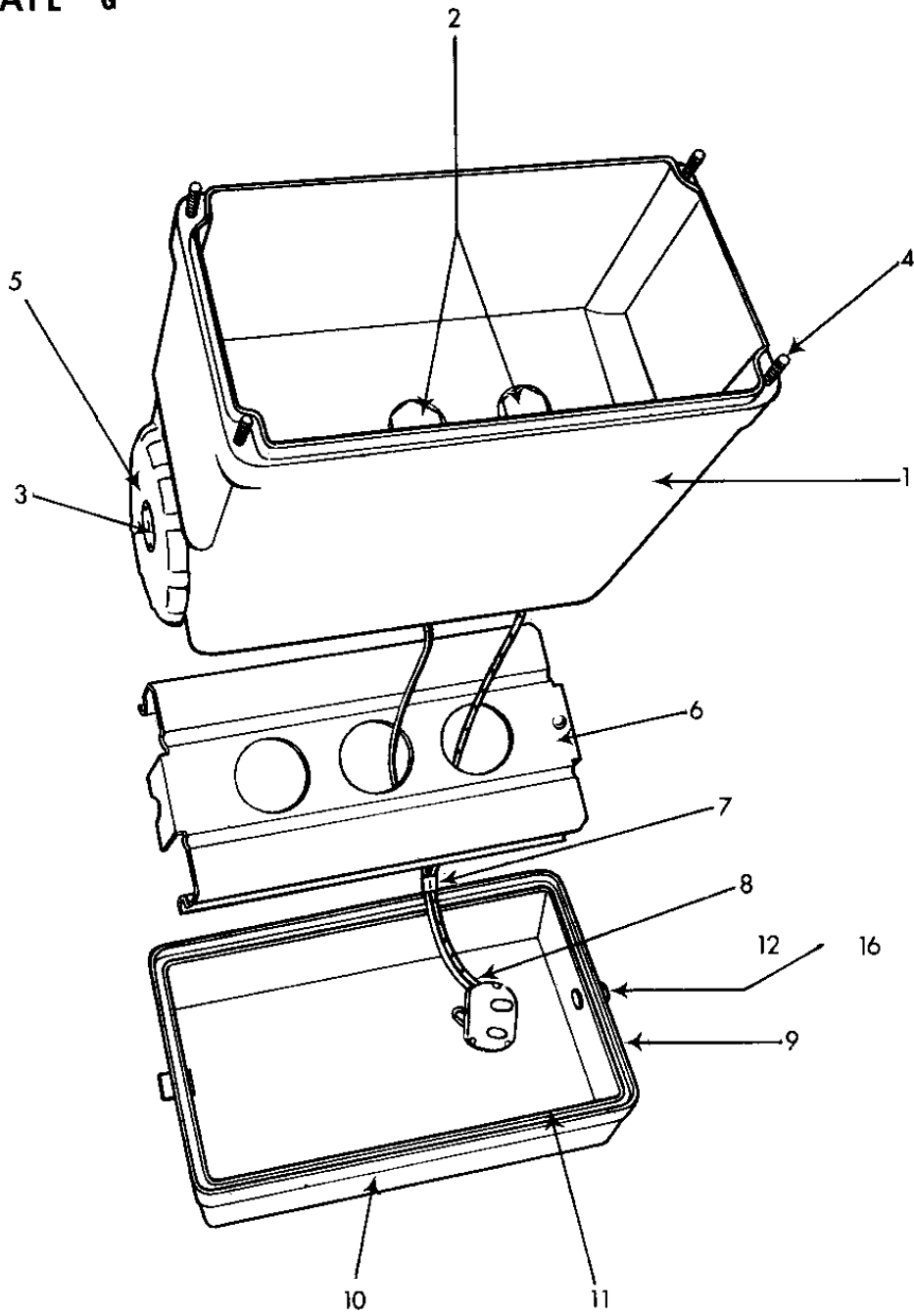
RECEIVER ASSEMBLIES

PLATE F



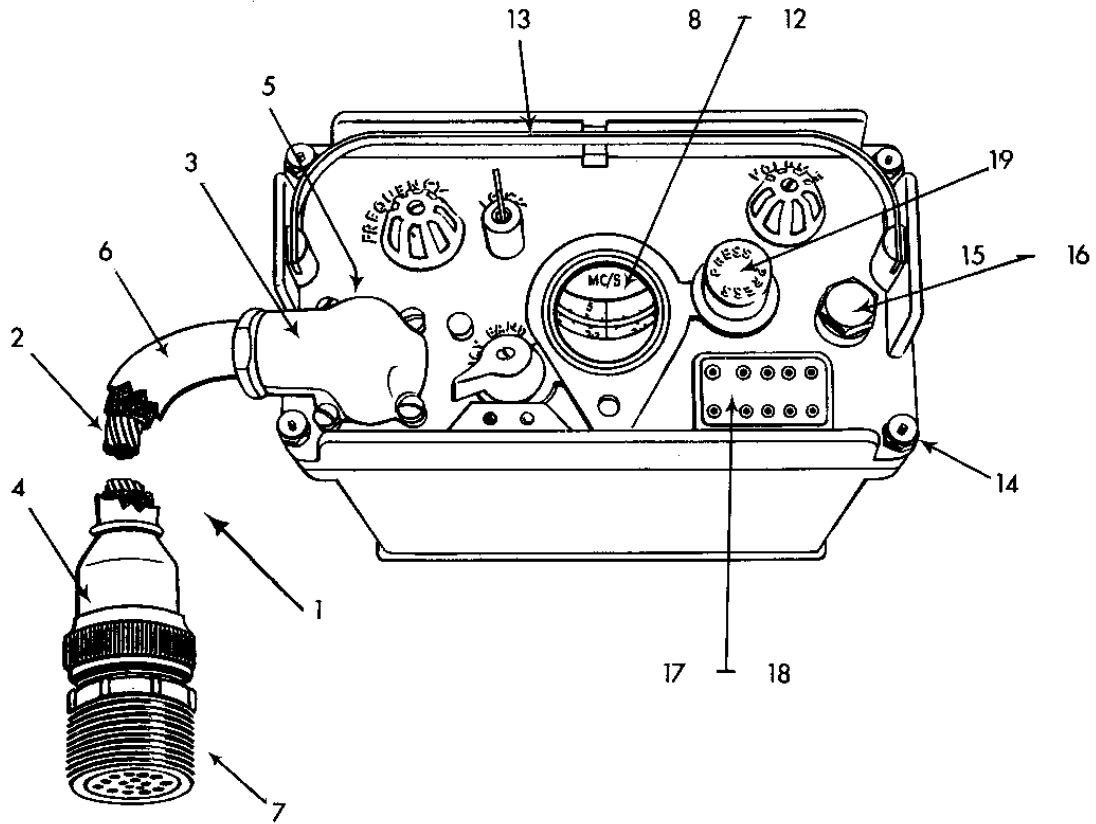
CASE ASSEMBLIES, RECEIVER

PLATE G



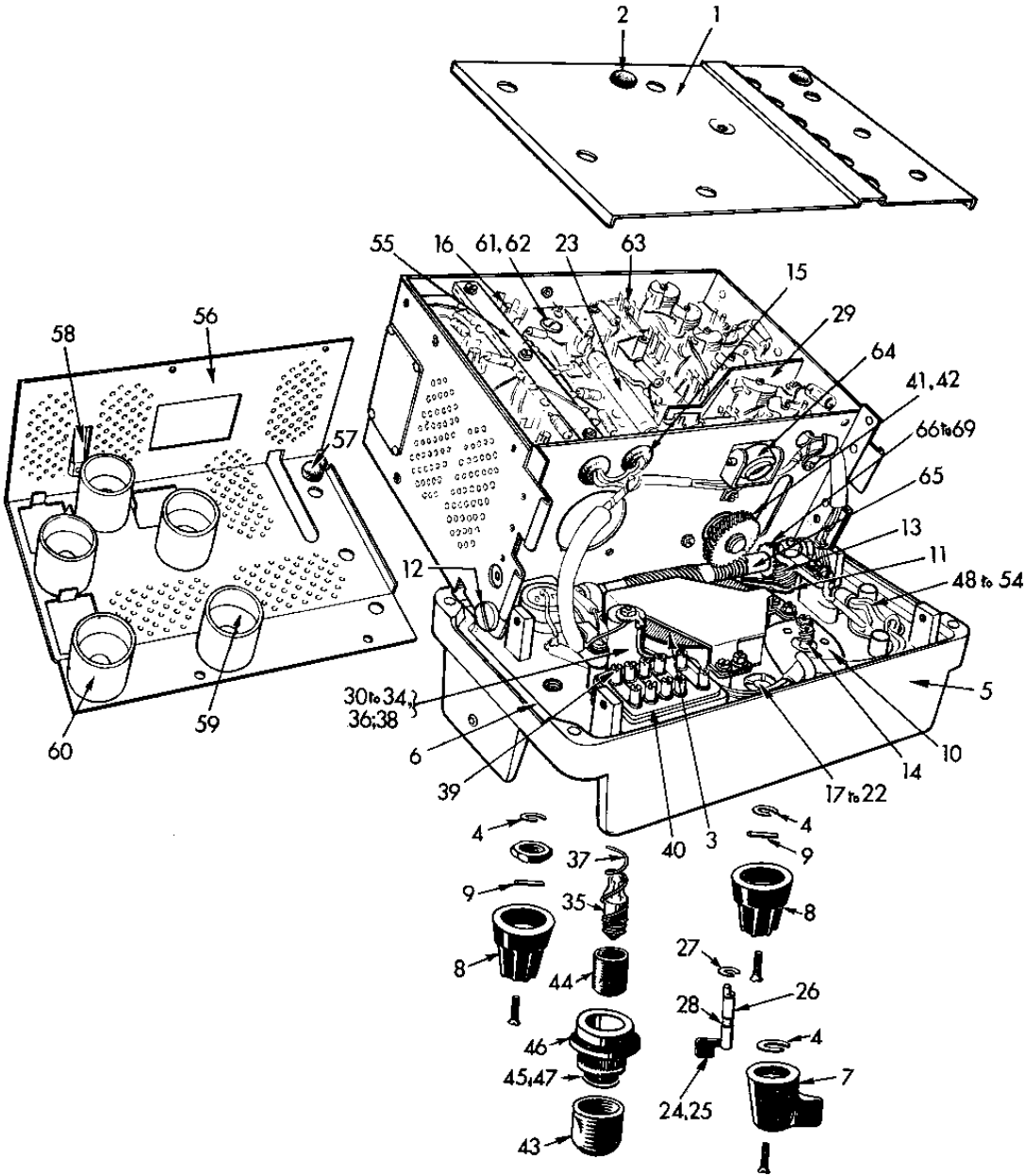
RECEIVER ASSEMBLIES

PLATE H



RECEIVER ASSEMBLIES

PLATE J



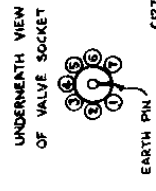
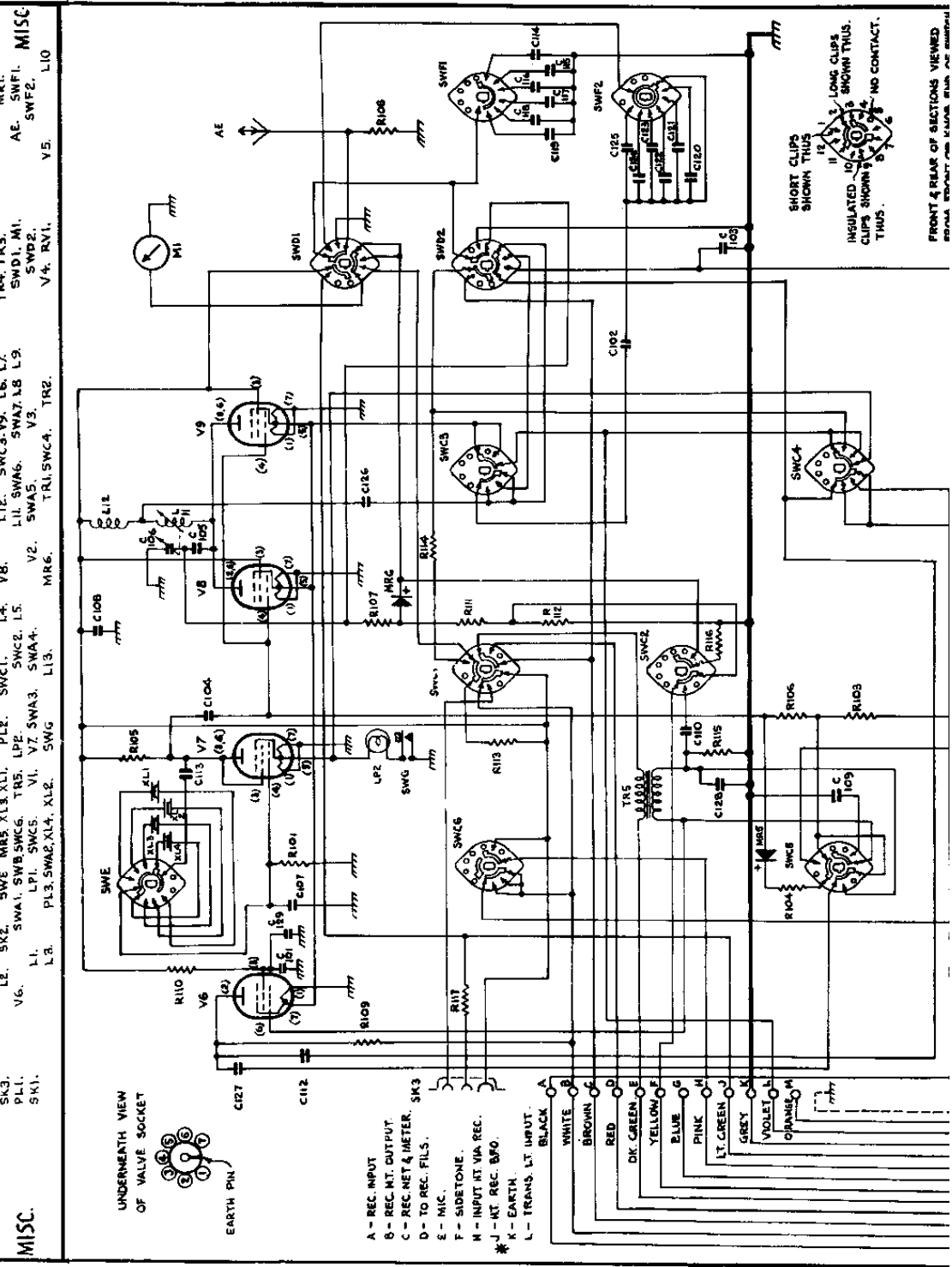
CIRCUIT DIAGRAM

PAGES 34 - 35 PLATE K

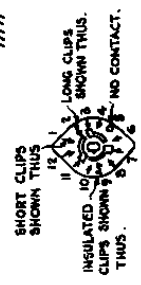
TRANSMITTER CIRCUIT CODE					
SYMBOL	RESISTORS	DESCRIPTION	SYMBOL	INDUCTORS	DESCRIPTION
R112	---	470 OHMS.	L11	---	PA. TUNING COIL 2-10MC/5.
R101,117	---	220 K. OHMS.	L12	---	R.F. CHOKE.
R102	---	NOT USED.	SWITCHES		
R103,110	---	470 K. OHMS.	SWC1-6	---	FUNCTION SWITCH.
R104	---	680 OHMS.	SWE	---	4 POSITION XTAL SWITCH.
R105,111	---	3-9 K. OHMS.	SWD1-2	---	3 POS. A-B-NET SW.
R106	---	47 K. OHMS.	SWF1-2	---	7 POS. AER. MATCHING SW.
R107	---	15 K. OHMS.	SWG	---	PILOT LAMP SWITCH.
R108	---	100 K. OHMS.	VALVES		
R109,115	---	150 K. OHMS.	V6	---	CV-785 MOD. AUDIO OSC.
R113	---	360 K. OHMS.	V7	---	CV-807 CRYSTAL OSC.
R114	---	5-6 K. OHMS.	V8,9	---	CV-807 IN PARALLEL - P.A.
R116	---	150 OHMS.	METERS		
CAPACITORS			M1	---	TUNING INDICATOR - L.T. & H.T. VOLTAGE CHECK.
C101,105,109,113,129	---	0.005 μ F.	PLUGS		
C102,103,108,110,126,127	---	0.01 μ F.	PL1	---	17 POINT CABLE CONNECTOR.
C104,112,128	---	0.001 μ F.	PL3	---	H.T. BATTERY PLUG.
C106	---	10-225 PF.	SOCKETS		
C107,116	---	33 PF.	SK3	---	3 POINT KEY SOCKET.
C114	---	15 PF.	RECTIFIERS		
C115	---	22 PF.	MRS,6	---	GERMANIUM CV-448.
C117	---	57 PF.	CRYSTALS		
C118	---	82 PF.	XL1	---	CRYSTAL DE.
C119	---	150 PF.	XL2	---	CRYSTAL DE.
C120	---	800 PF.	XL3	---	CRYSTAL DE.
C121	---	470 PF.	XL4	---	CRYSTAL DE.
C122	---	300 PF.	LAMPS		
C123	---	180 PF.	LP2	---	PILOT LAMP.
C124	---	100 PF.			
C125	---	68 PF.			
TRANSFORMERS					
TR5	---	MIC. TRANSFORMER.			

RECEIVER CIRCUIT CODE					
SYMBOL	RESISTORS	DESCRIPTION	SYMBOL	INDUCTORS (CONTD.)	DESCRIPTION
R1,4,10	---	470 K. OHMS.	L5	---	ANODE TUNING 2-4.5 MC/S.
R2,8,9,20,21	---	10 K. OHMS.	L6	---	OSC. SCREEN COUPLING 2-4.5 MC/S.
R3	---	NOT USED.	L7	---	OSC. GRID TUNING 2-4.5 MC/S.
R5	---	100 K. OHMS.	L8	---	OSC. SCREEN COUPLING 4.5-10 MC/S.
R6	---	1500 OHMS.	L9	---	OSC. GRID TUNING 4.5-10 MC/S.
R7,14	---	2.2 M. OHMS.	L10	---	HET. OSC. TUNING.
R11	---	150 K. OHMS.	L15	---	FILAMENT CHOKE.
R12,17,19	---	47 K. OHMS.	TRANSFORMERS		
R13	---	18 K. OHMS.	TR1	---	1 st I.F. TRANSFORMER.
R15,18	---	6-8 M. OHMS.	TR2	---	2 nd I.F. TRANSFORMER.
RVI	---	1.0 M. OHMS.	TR3	---	3 rd I.F. TRANSFORMER.
CAPACITORS			TR4	---	OUTPUT TRANSFORMER.
C1,8,21	---	3-30 PF. VARIABLE 2-4.5 MC/S.	SWITCHES		
C2,9,20	---	3-30 PF. VARIABLE 4.5-10 MC/S.	SWA	---	8 POLE, 2WAY BAND SELECTOR
C3	---	0.4 μ F.	SWB	---	PILOT LAMP SWITCH.
C4,7,13	---	10-225 PF.	VALVES		
C5,11,17,32,33	---	100 PF.	V1	---	CV-785 R.F. AMP.
C6,10,12,22,26,29,37	---	0.1 μ F.	V2	---	CV-782 CONVERTER.
C16,40,41	---	12 PF.	V3	---	CV-785 I.F. AMP.
C18,19,23,24,30,31	---	150 PF.	V4	---	CV-785 REFLEX I.F. AUDIO AMP.
C14	---	0.0018 μ F.	V5	---	CV-784 DEMODULATOR & HETRODYNE OSC.
C15	---	900 PF.	PLUGS		
C25,27,35,38	---	470 PF.	PL2	---	L.T. BATTERY PLUG.
C28	---	0.005 μ F.	SOCKETS		
C34	---	220 PF.	SK1	---	17 POINT CABLE CONNECTOR.
C36	---	5 PF.	SK2	---	DUAL 5 PT. PHONE/MIC. SOCKET.
C39	---	0.01 μ F.	RECTIFIERS		
C42	---	4.7 PF.	MRI	---	GERMANIUM CV-448.
INDUCTORS			LAMPS		
L1	---	AERIAL TUNING 2-4.5 MC/S.	LP1	---	PILOT LAMP.
L2	---	AERIAL COUPLING 2-10 MC/S.			
L3	---	AERIAL TUNING 4.5-10 MC/S.			
L4	---	ANODE TUNING 4.5-10 MC/S.			

R	109	117	110	104	1	101.	105, 106.	107.	116, 111, 6, 4,	114.	5,	20	7	12	8, 9,	15.	11, 10, 18, 19,	R					
							2, 113	112.	112.							13,	14,	108, 21,					
C	127.	39,	129,	107,	5,	128,	109, 113	110	104	9,	10, 108	11,	106, 126,	19,	102,	14,	30,	38,	124, 125, 42, 33, 40, 35,	37			
		112,	36,	101,	1,	6,	7,			8, 12,	3,	105,	16, 17,	20,	23,	103,	31,	122, 27, 123, 26, 118,	116,	114,	C		
MISC.	SK3.	L2.	SK2.	SW6	MR5, XL3, XL1,	PL2.	SWC1.	L4.	V8.	112.	SWC3, V9.	L6, L7,	TR4, TR3.	MR1.									
	PL1.	V6.	L1.	SWA1, SWB, SWC6,	TR5.	LPE.	SWC2.	L5.	V2.	SWA5.	SWA7, L8, L9.	SWD1, M1.	AE.	SWF1.	MISC.								
	SK1.	L3.	PL3, SWA2, XL4,	XL2.	SWG	L13.	MR6.	TR1, SWC4,	TR2.			V4, RV1.	V5.	SWF2.	L10								

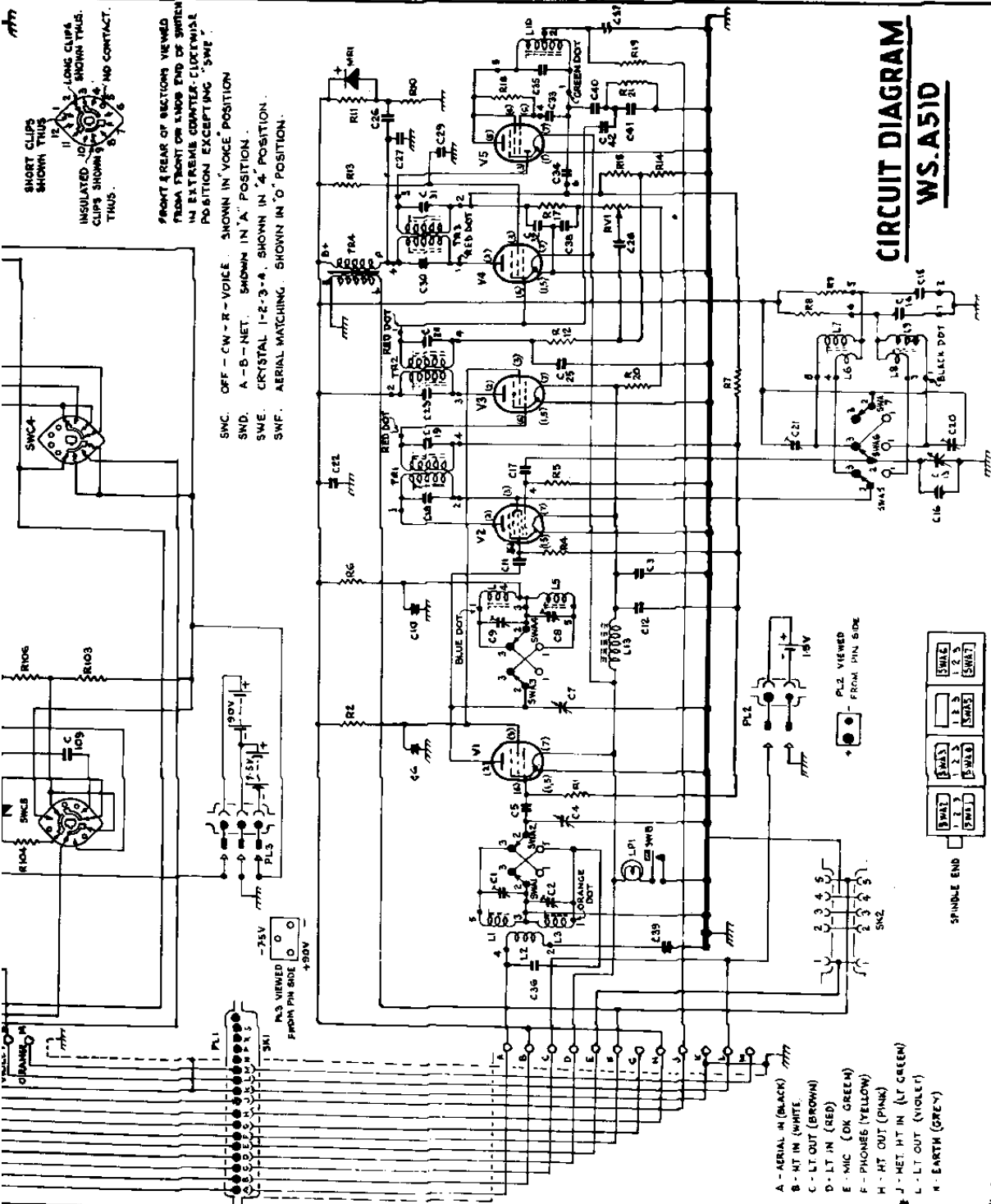


- A - REC. INPUT
- B - REC. INT. OUTPUT
- C - REC. NET & METER. SK3
- D - TO REC. FILS.
- E - MIC.
- F - SIDETONE
- G - INPUT INT. VIA REC.
- H - INT. REC. BFO.
- I - EARTH
- J - TRANS. LT. INPUT
- K - BLACK
- L - TRANS. LT. INPUT



FRONT & REAR OF SECTIONS VIEWED
 GENERAL ARRANGEMENT SUBJECT TO CHANGE

**CIRCUIT DIAGRAM
WS.A51D**



SHORT CLIPS SHOWN THUS
INSULATED 10 LONG CLIPS SHOWN THUS
CLIPS SHOWING NO CONTACT.

FRONT & REAR OF SECTION VIEWED FROM FRONT OR LONG END OF SPINDLE IN EXTREME COUNTER-CLOCKWISE POSITION EXCEPTING "SWE".

SNC. OFF - CW - R - VOICE SHOWN IN "VOICE" POSITION.
SND. A - B - NET. SHOWN IN "A" POSITION.
SWE. CRYSTAL 1-2-3-4. SHOWN IN "4" POSITION.
SNF. AERIAL MATCHING. SHOWN IN "O" POSITION.

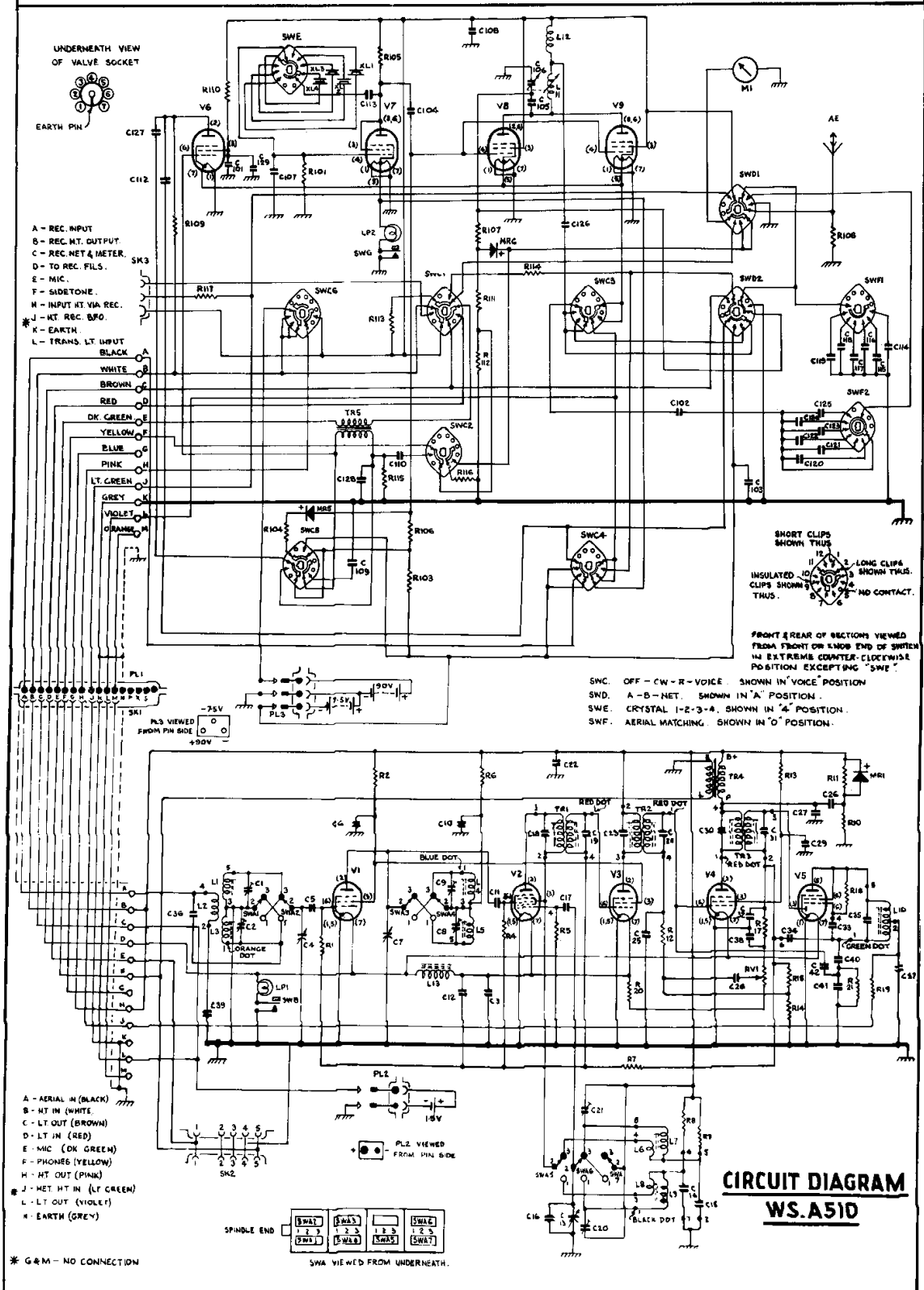
- A - SERIAL IN (BLACK)
- B - HT IN (WHITE)
- C - LT OUT (BROWN)
- D - LT IN (RED)
- E - MIC (DK GREEN)
- F - PHONES (YELLOW)
- H - HT OUT (PINK)
- J - MET HT IN (LT GREEN)
- L - LT OUT (VIOLET)
- R - EARTH (GREEN)

* G & M - NO CONNECTION



SWA VIEWED FROM UNDERNEATH.

R	109	117	110	101	105	106	107	116	111	6	4	114	5	20	8	9	13	11	10	18	19	R			
C	127	39	129	107	5	109	113	110	10	108	11	106	126	19	102	14	30	38	124	125	42	33	40	35	37
MISC.	SK3.	PL1.	SK1.	L2.	SK2.	SWE	MRS	XL3	XL1.	PL2.	SWC1.	L4.	V8.	L12.	SWC3	V9.	L6.	L7.	TR4.	TR3.	SWD1.	M1.	M.R1.	AE.	SWF1.
				L1.	SWA1.	SWC6.	TR5.	LPE.	SWC2.	L5.	V2.	SWA5.	V3.	L11.	SWA6.	SWA7	LB	L9.	SWD2.	SWF2.	V4.	RV1.	V5.	L10	MISC.



- A - AERIAL IN (BLACK)
- B - HT IN (WHITE)
- C - LT OUT (BROWN)
- D - LT IN (RED)
- E - MIC (DK GREEN)
- F - PHONES (YELLOW)
- M - HT OUT (PINK)
- J - MET HT IN (LT GREEN)
- L - LT OUT (VIOLET)
- K - EARTH (GREY)



STATION ITEMS

	Page	Plate
AERIALS, END-FRD, ADJUSTABLE, 135-ft. CORDS, AERIAL, WEIGHTED COUNTERPOISE ASSEMBLIES	39	L
AERIALS, LIGHTWEIGHT, 68-ft. FEEDERS, AERIAL, 70-ohms	41	M
CASES, TRANSIT, A510	43	N
INDUCTOR ASSEMBLIES, AERIAL TUNING	45	P
WEBBING CARRYING EQUIPMENT	47	Q
MISCELLANEOUS STATION ITEMS	49	R

**AERIALS, END-FED, ADJUSTABLE, 135 FT.. CORDS, AERIAL. WEIGHTED.
COUNTERPOISE ASSEMBLIES.**

PLATE L

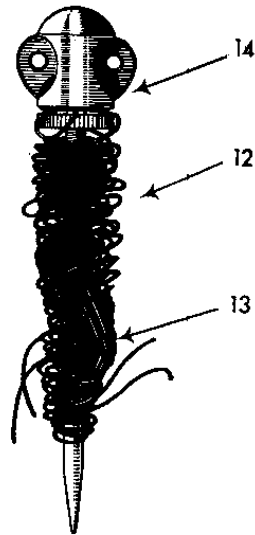
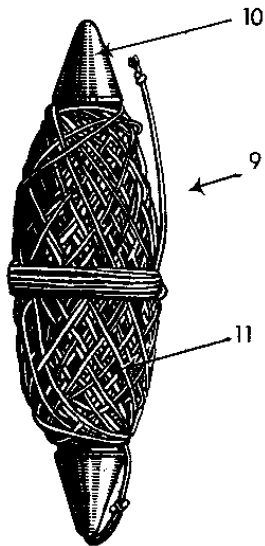
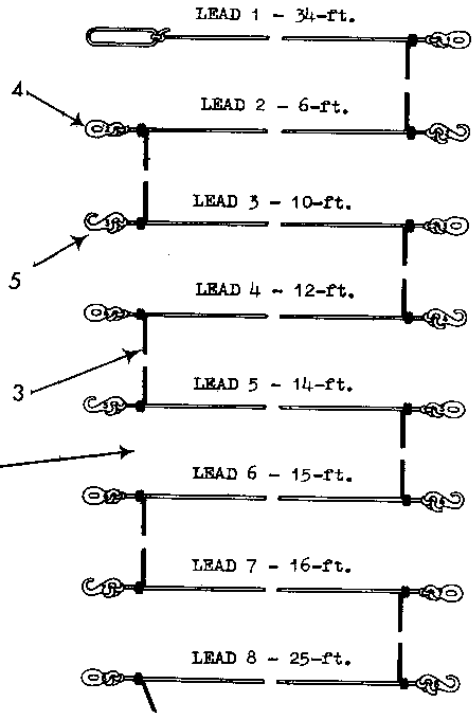
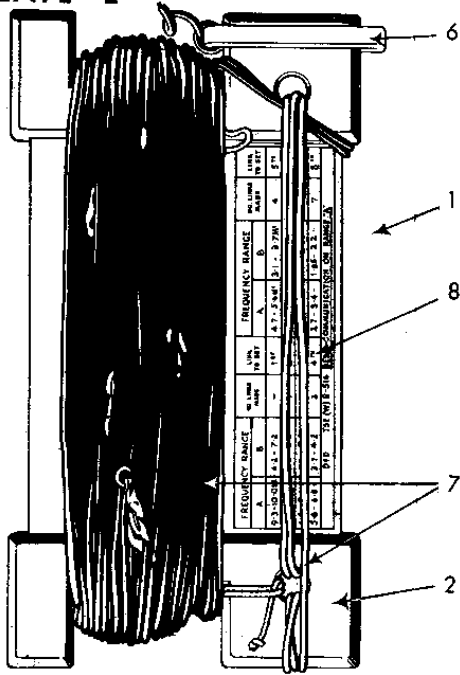


PLATE REF. NO.	DESIGNATION	CATALOGUE NO.	NO. OFF	DRAWING NO. OR REMARKS
L1 *	AERIALS, end fed, adjustable, 135-ft.	Z1/TSE(W)8-516	1	M. Pt. No. 32117.
L2	BOBBINS	-	1	TSE(W)8-592. M. Pt. No. 32118.
L3	CORDS, nylon	-	40-ft.	
L4 *	EYES, 135-ft. adjustable aerial	Z1/TSE(W)8-594	8	M. Pt. No. 32143.
L5 *	HOOKS, 135-ft. adjustable aerial	Z1/TSE(W)8-595	8	M. Pt. No. 32144.
L6 *	INSULATORS, 2 $\frac{1}{4}$ -in. x 9/16-in. O.A.	Z1/TSE(W)8-481	1	M. Pt. No. 31676. Plastic.
L7	LEADS, aerial	-	1	M. Pt. No. 32429.
L8	TRANSFERS	-	1	TSE(W)8-679. M. Pt. No. 32190.
...	TRANSFERS	∅	-	M. Pt. No. 32191. On reverse side of bobbin.
L9 *	CORDS, aerial, weighted	Z1/TSE(W)8-517	1	2 off per A510. M. Pt. No. 31685.
L10	BOBBIN ASSEMBLIES	-	1	TSE(W)8-523. M. Pt. No. 31658.
L11 *	CORDS, sash, linen, braided, $\frac{1}{2}$ -in. (lbs.)	H2/HBA0417	a.r.	(100-ft.) M. Pt. No. 30358.
L12 *	COUNTERPOISE ASSEMBLIES	Z1/TSE(W)8-507	1	M. Pt. No. 31682.
L13	LEADS, counterpoise	-	1	M. Pt. No. 32426.
L14	SPIKE ASSEMBLIES	-	1	TSE(W)8-518. M. Pt. No. 32104.

AERIALS, LIGHTWEIGHT, 68ft
FEEDERS, AERIAL, 70-OHMS

PLATE M

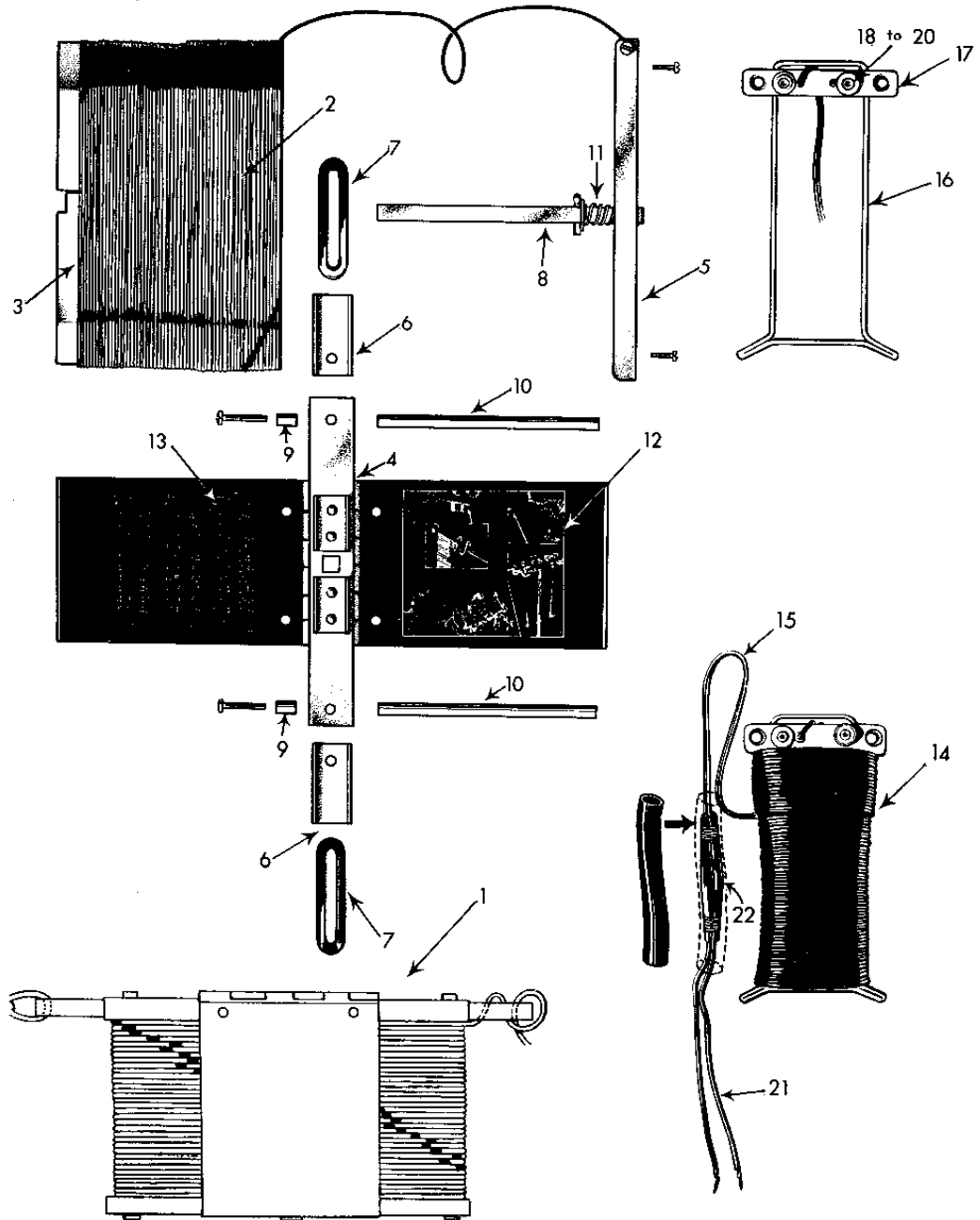


PLATE REF. NO.	DESIGNATION	CATALOGUE NO.	NO. OFF	DRAWING NO. OR REMARKS
M 1 *	AERIALS, lightweight, 68-ft. ..	Z1/TSE(W)8-476	1	M. Pt. No. 31692. 2 off per A510.
M 2 *	AERIAL WIRE ASSEMBLIES ..	Z1/AWA/32425	1	
...	REEL ASSEMBLIES ..	-	-	TSE(W)8-478. M. Pt. No. 31680.
M 3	BODY WRAP ASSEMBLIES ..	-	1	TSE(W)8-495. M. Pt. No. 31671.
M 4	CHANNEL ASSEMBLIES ..	-	1	TSE(W)8-489. M. Pt. No. 31664.
M 5	CHANNEL ASSEMBLIES ..	-	1	TSE(W)8-497. M. Pt. No. 31613.
M 6	COVERS, insulator, dipole aerial, 1.15/32-in. x 5/16-in. ..	-	2	TSE(W)8-484. M. Pt. No. 31679.
M 7 *	INSULATORS, 2 1/4-in. x 9/16-in. O.A. ..	Z1/TSE(W)8-481	2	M. Pt. No. 31676.
M 8	SHAFT ASSEMBLIES ..	-	1	TSE(W)8-492. M. Pt. No. 31668.
M 9	SPACERS ..	-	2	TSE(W)8-480. M. Pt. No. 31663.
M 10	SPACERS ..	-	2	TSE(W)8-483. M. Pt. No. 31678.
M 11 *	SPRINGS, reel assembly ..	Z1/TSE(W)8-479	1	M. Pt. No. 25794.
M 12	TRANSFERS ..	-	1	M. Pt. No. 32192.
M 13	TRANSFERS ..	-	1	M. Pt. No. 32193.
<u>H A R D W A R E</u>				
	NUTS, 6BA, hex., Br. ..	-	1	-
	SCREWS -	-	-	-
	4BA x 3/8-in., H/F hd., Br. ..	-	2	-
	4BA x 1/2-in., H/F hd., Br. ..	-	2	-
	6BA x 1/2-in., H/F hd., Br. ..	-	1	-
	SPLIT PINS, 3/8-in. dia. x 3/8-in. ..	-	1	-
	WASHERS, 6BA ..	-	1	-
	WASHERS, 6BA ..	-	1	TSE(W)8-525. M. Pt. No. 15722.
	WASHERS ..	-	1	TSE(W)8-482. M. Pt. No. 31677. For shaft assembly.
M 14 *	FEEDERS, aerial, 70-ohms ..	Z1/TSE(W)8-499	1	M. Pt. No. 31686.
M 15	FEED ASSEMBLIES, dipole ..	-	1	TSE(W)8-504. M. Pt. No. 32115.
M 16	FRAME ..	-	1	TSE(W)8-500. M. Pt. No. 32111.
M 17	INSULATORS ..	-	2	TSE(W)8-503. M. Pt. No. 32114.
M 18	NUTS ..	-	2	TSE(W)8-502. M. Pt. No. 32113.
M 19	TERMINALS ..	-	2	TSE(W)8-501. M. Pt. No. 32112.
M 20	WASHERS ..	-	2	M. Pt. No. 15713.
M 21	LEAD-GROUP ..	-	1	TSE(W)8-660. M. Pt. No. 32430.
M 22	SPLINTS ..	-	1	TSE(W)8-505. M. Pt. No. 32116.

CASES TRANSIT A510

PLATE N

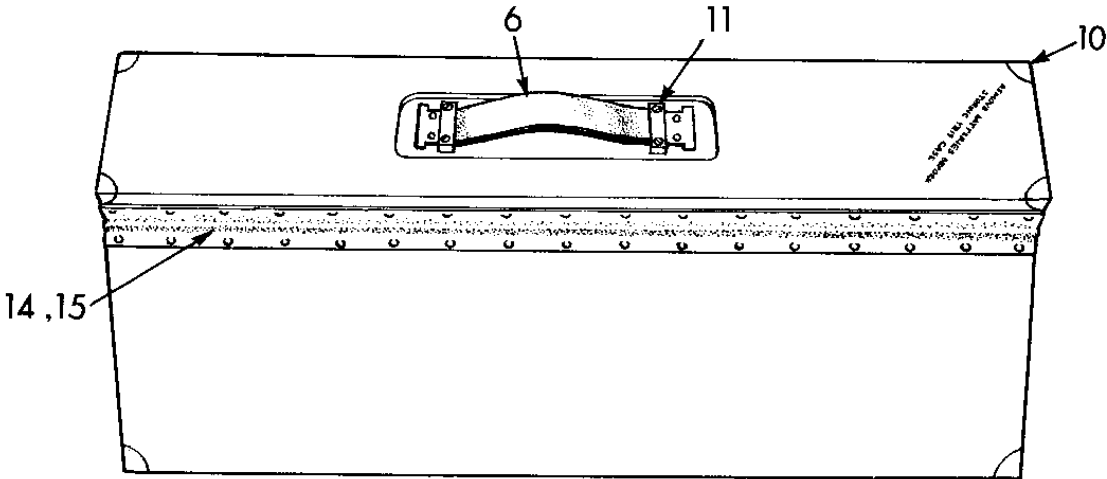
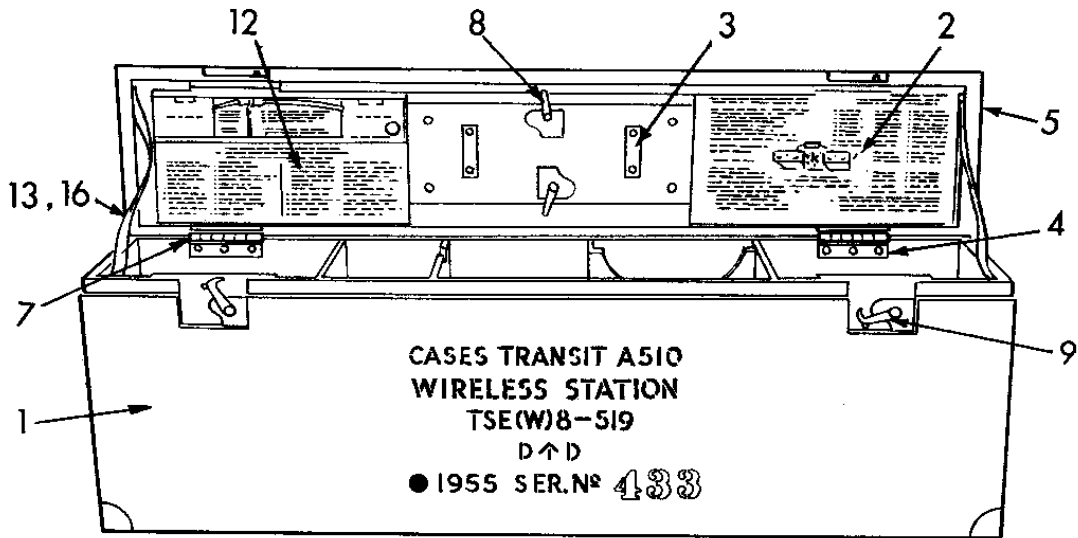


PLATE REF. NO.	DESIGNATION	CATALOGUE NO.	NO. OFF	DRAWING NO. OR REMARKS
N1 *	CASES, transit A510	Z1/TSE(W)8-519	1	M. Pt. No. 31697.
N2	CHARTS, instruction	-	1	TSE(W)8-689. M. Pt. No. 32120.
N3	COVER-STRIPS, handle	-	2	TSE(W)8-696. M. Pt. No. 32148.
N4	COVER-STRIPS, hinge	-	4	TSE(W)8-680. M. Pt. No. 32153.
N5	DRIP-STRIP ASSEMBLIES	-	1	TSE(W)8-681. M. Pt. No. 31655.
N6 *	HANDLES, transit case	Z1/TSE(W)8-685	1	M. Pt. No. 32150.
N7 *	HINGES, transit case	Z1/TSE(W)8-697	2	M. Pt. No. 32123.
N8 *	LATCHES, flexible aerial	Z1/AWA/32138	2	M. Pt. No. 32138. Inside lid of case.
N9 *	LATCHES, transit case	Z1/TSE(W)8-684	2	M. Pt. No. 32141.
N10 *	PLATES, corner	Z1/TSE(W)8-694	8	M. Pt. No. 32135.
N11	RETAINERS, handle	-	2	TSE(W)8-688. M. Pt. No. 32149.
N12	STATION LISTS	-	1	TSE(W)8-664. M. Pt. No. 32132.
N13	STRAPS	-	2	TSE(W)8-695. M. Pt. No. 32189.
N14	STRIPS, webbing	-	1	TSE(W)8-698. M. Pt. No. 32137.
N15	WEBBING, DRIP-STRIP	-	1	TSE(W)8-698. M. Pt. No. 32137.
N16	WEBBING, STRAP	-	1	TSE(W)8-695. M. Pt. No. 32189.
<u>H A R D W A R E</u>				
	NUTS, 2EA, hex., Br.	-	4	
	NUTS, 6EA, hex., Br.	-	24	
	SCREWS -			
	2BA x $\frac{1}{2}$ -in., csk. hd., Br.	-	12	
	2BA x $\frac{1}{8}$ -in., csk. hd., Br.	-	4	
	6BA x $\frac{1}{8}$ -in., csk. hd., Br.	-	6	
	6BA x $\frac{3}{8}$ -in., csk. hd., Br.	-	10	
	6BA x $\frac{1}{2}$ -in., csk. hd., Br.	-	22	
	Wood, No. 6 x $\frac{1}{2}$ -in., csk. hd., Br.	-	24	
	Wood, No. 4 x $\frac{1}{2}$ -in., raised hd., Br.	-	34	
	WASHERS -			
	2BA	-	4	TSE(W)8-266. M. Pt. No. 15711.
	6BA	-	22	TSE(W)8-325. M. Pt. No. 15722.
	Cup, No. 4	-	34	
	WASHERS, spring -			
	2BA	-	4	
	6BA	-	24	

INDUCTOR ASSEMBLIES, AERIAL TUNING

PLATE P

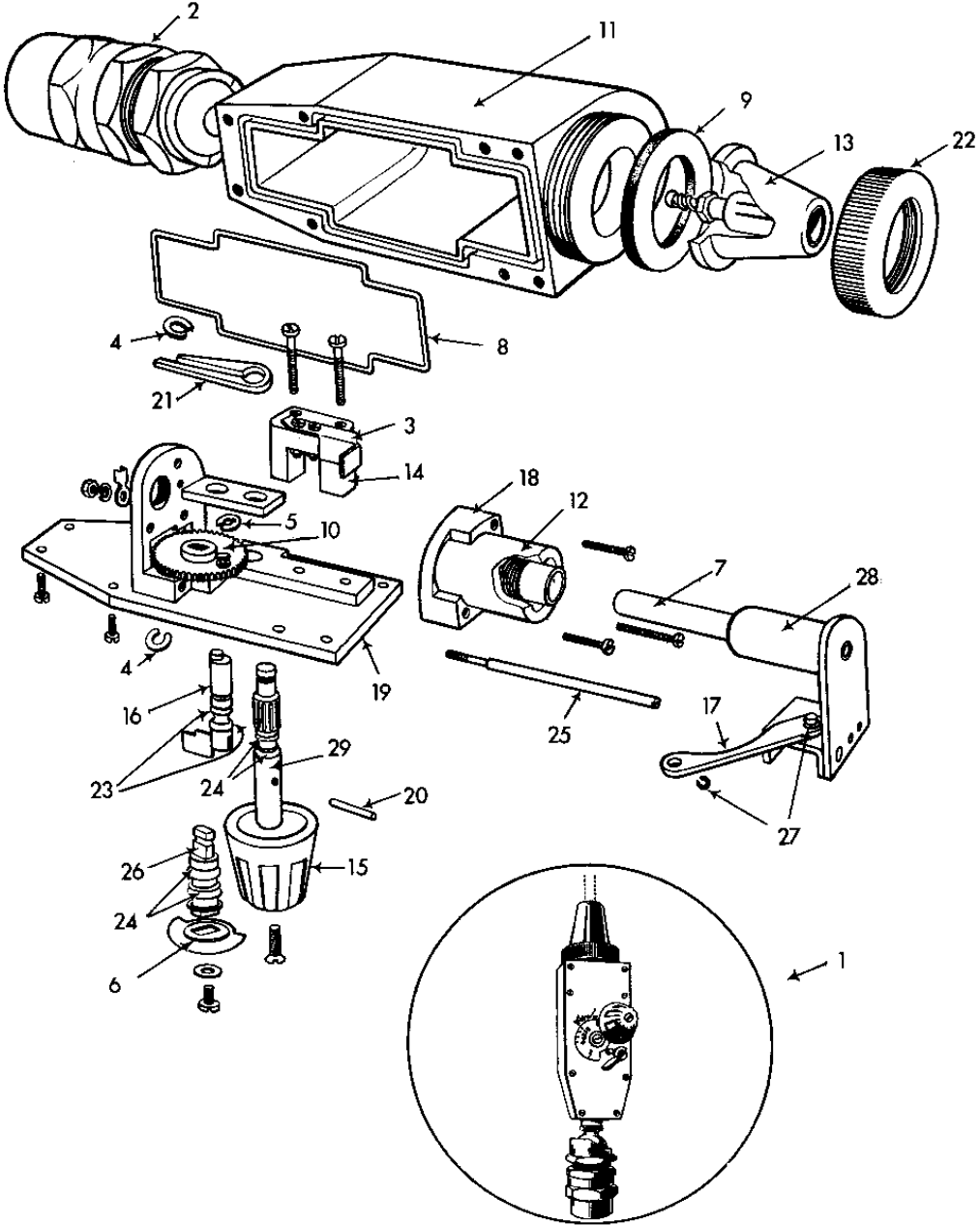


PLATE REF. NO.	DESIGNATION	CATALOGUE NO.	NO. OFF	DRAWING NO. OR REMARKS
P1 *	INDUCTORS, tuning, 8-ft. flexible aerial	Z1/TSE(W)8-520	1	M. Pt. No. 31698. Used with but not part of A510 transmitter.
P2 *	BALL JOINT ASSEMBLIES	Z1/TSE(W)8-626		M. Pt. No. 29105. Connects inductor to transmitter.
	comprising -			
	BEARINGS, swivel, ball joint	-	1	TSE(W)8-628. M. Pt. No. 29108.
	BUTTONS, pressure, ball joint	-	1	TSE(W)8-627. M. Pt. No. 29107.
	DISCS, ball joint	-	1	TSE(W)8-632. M. Pt. No. 29113.
	NUTS, ball joint	-	1	TSE(W)8-630. M. Pt. No. 29110.
	NUTS, locking, ball joint	-	1	M. Pt. No. 29242.
...	NUTS, ring, terminal block	Z1/TSE(W)8-33.	1	M. Pt. No. 29198.
	SOCKETS, ball joint	-	1	M. Pt. No. 32186.
...	SPRINGS, ball joint	Z1/TSE(W)8-633	1	M. Pt. No. 25727.
...	STUDS, ball joint	Z1/TSE(W)8-629	1	M. Pt. No. 29109.
P3 *	BRACKETS, contact	Z1/TSE(W)8-640	1	M. Pt. No. 29231.
P4 *	CIRCLIPS	Z1/TSE(W)8-20	2	M. Pt. No. 2537. Tuning and main gear spindles.
P5 *	CIRCLIPS	Z1/TSE(W)8-648	1	M. Pt. No. 30355. For locking lever.
P6 *	DIALS, indicating	Z1/TSE(W)8-641	1	M. Pt. No. 29234.
P7	FORMERS, tuning rod assembly	-	1	TSE(W)8-612. M. Pt. No. 29215.
P8 *	GASKETS, front panel, tuning indicator	Z1/TSE(W)8-650	1	M. Pt. No. 32127.
P9 *	GASKETS, rubber, 8-ft. flexible aerial insulator	Z1/TSE(W)8-638	1	M. Pt. No. 29229.
P10 *	GEARS, operating, tuning rod assembly	Z1/TSE(W)8-602	1	M. Pt. No. 29205.
P11	HOUSINGS, aerial tuning inductor	-	1	TSE(W)8-643. M. Pt. No. 32128.
P12	INDUCTOR AND FORMER ASSEMBLIES	-	1	TSE(W)8-598. M. Pt. No. 29201. Fixed.
P13 *	INSULATORS, 8-ft. flexible aerial	Z1/TSE(W)8-615	1	M. Pt. No. 29218. Polystyrene.
P14	INSULATORS, contact bracket	-	1	TSE(W)8-644. M. Pt. No. 29236.
P15 *	KNOBS, main drive, tuning and volume	Z1/TSE(W)8-22	1	M. Pt. No. 29084.
P16 *	LEVERS, locking, tuning spindle	Z1/TSE(W)8-623	1	M. Pt. No. 29239.
P17	LINKS, operating, tuning rod assembly	-	1	TSE(W)8-636. M. Pt. No. 29227.
...	LOOM, wiring	-	1	M. Pt. No. 20972.
P18	MOUNTING BLOCK ASSEMBLIES, insulated	-	1	TSE(W)8-597. M. Pt. No. 29200.
P19	PANELS, front, aerial tuning inductor	-	1	TSE(W)8-647. M. Pt. No. 32129.
P20 *	PINS, locating	Z1/TSE(W)8-23	1	M. Pt. No. 29030.
	(for keying knob to spindle)			
P21 *	PLATES, locking, tuning spindle	Z1/TSE(W)8-645	1	M. Pt. No. 29237.
P22 *	RINGS, locking	Z1/TSE(W)8-637	1	M. Pt. No. 29228.
	(for holding on 8-ft. flexible aerial insulator)			
P23 *	RINGS, "0", .187-in. x .103-in. x .042-in.	Z1/TSE(W)8-19	2	M. Pt. No. 29265. On locking spindle.
P24 *	RINGS, "0", .250-in. x .166-in. x .042-in. (Duro 70)	Z1/TSE(W)8-15	4	M. Pt. No. 29174. On tuning spindle.
P25	RODS, carriage support	-	1	TSE(W)8-639. M. Pt. No. 29230.
P26	SPINDLES, main gear	-	1	TSE(W)8-635. M. Pt. No. 29226.
P27 *	SPRINGS, retaining, operating link	Z1/TSE(W)8-651	2	M. Pt. No. 25737.
P28	TUNING ROD ASSEMBLIES	-	1	TSE(W)8-606. M. Pt. No. 29209.
P29 *	TUNING SPINDLE ASSEMBLIES	Z1/TSE(W)8-620	1	M. Pt. No. 29222.
<u>H A R D W A R E</u>				
	NUTS, BA, Br, hex, No. 8 anti-corrosive	Z2/GAA2722	3	-
	SCREWS, BA, Br, ch. hd., No. 6 x $\frac{3}{8}$ -in., anti-corrosive	Z2/ZB11544	1	Reduce length 3/16-in.
	SCREWS, BA, Br, ch. hd., No. 8 x $\frac{1}{4}$ -in., anti-corrosive	Z2/ZB13331	10	
	SCREWS, BA, Br, ch. hd., No. 8 x $\frac{3}{8}$ -in., anti-corrosive	Z2/ZB13226	5	Reduce length.
	SCREWS, BA, Br, csk. hd., No. 6 x $\frac{3}{8}$ -in., anti-corrosive	Z2/ZB13243	1	For retaining knob.
	TABS, No. 8 BA hole	Y3/WB0963	1	-
	WASHERS, 6BA	Z2/ZB10376	1	M. Pt. No. 15722.
	WASHERS, 7/16-in. O. D. x .251-in. I. D.	Z1/TSE(W)8-324	1	M. Pt. No. 21771.

WEBBING CARRYING EQUIPMENT FOR WIRELESS STATION A510

PLATE Q

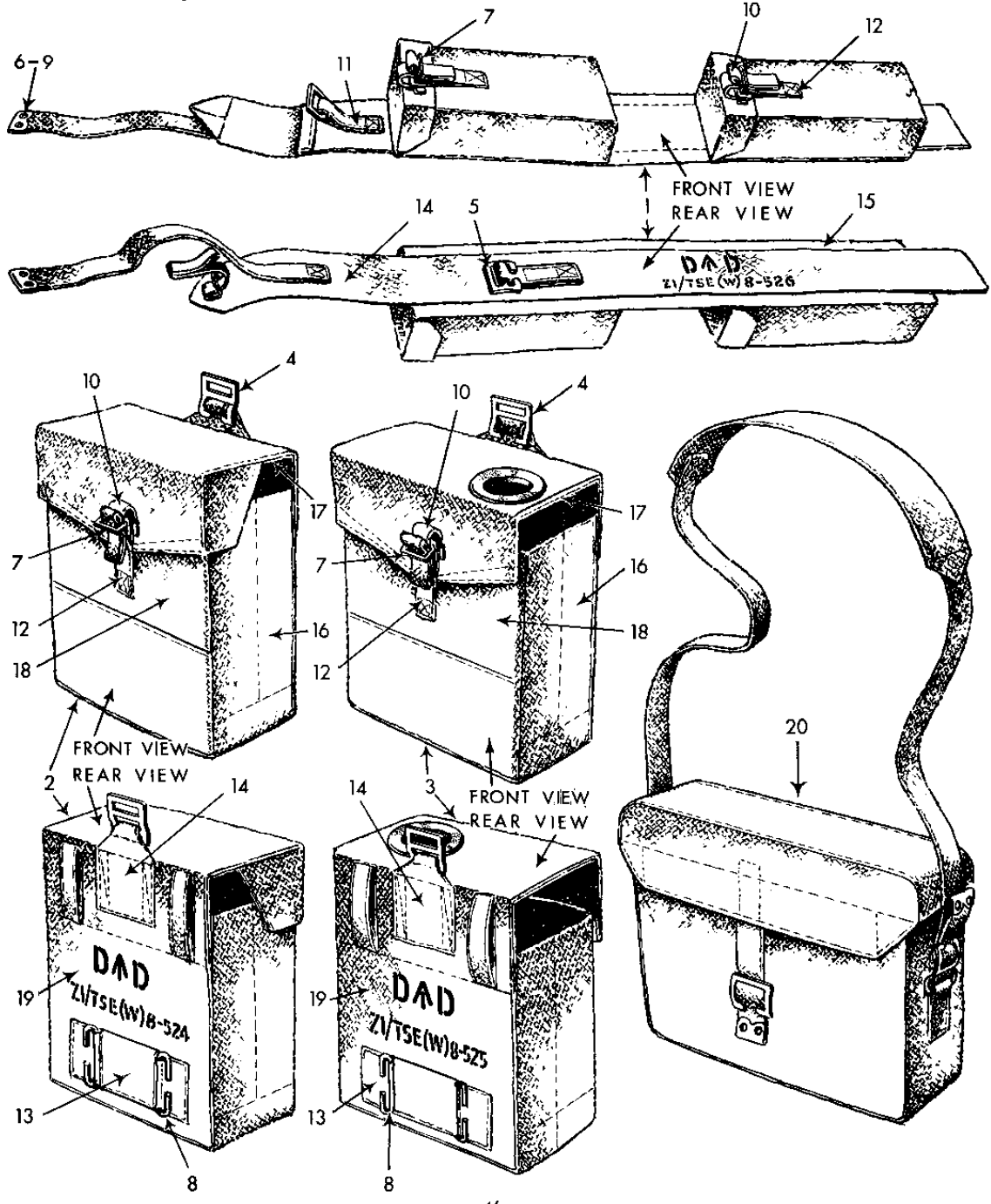


PLATE REF. NO.	DESIGNATION	CATALOGUE NO.	NO. OFF	DRAWING NO. OR REMARKS
Q1 *	CASES, carrying, flexible aerial (e) ..	Z1/TSE(W)8-526	(e)(b)(c) 1	M. Pt. No. 32126.
Q2 *	POUCHES, receiver, A510 .. (b) ..	Z1/TSE(W)8-524	1	M. Pt. No. 32124.
Q3 *	POUCHES, transmitter, A510 .. (c) ..	Z1/TSE(W)8-525	1	M. Pt. No. 32125.
Q4	BUCKLES, brass, 1-in. (with loop) ..	A1/AA372	1 1	A. W. A. material No. 176010.
Q5	BUCKLES, brass, 1-in. ..	A1/AA374	1	A. W. A. material No. 176011.
Q6	EYELETS, No. 64, sail ..	-	2	A. W. A. material No. 315015.
Q7	FASTENERS, quick release, Br. ..	A/AAA0005	3 1 1	A. W. A. material No. 322056.
Q8	HOOKS, 2½-in., Br. ..	AA1106	2 2	A. W. A. material No. 401045.
Q9	TIPS, 1-in., Br. ..	AA1881	1	A. W. A. material No. 901001.
Q10	WEB, double ply, light green, ½-in. ..	H2/HBA0159	a. r.	A. W. A. material No. 930801.
Q11	WEB, double ply, light green, ¾-in. ..	H2/HBA0161	a. r.	A. W. A. material No. 930808.
Q12	WEB, single ply, light green, ¾-in. ..	H2/HBA0179	a. r.	A. W. A. material No. 930804.
Q13	WEB, single ply, light green, 2¼-in. ..	H2/HBA0181	a. r.	A. W. A. material No. 930818.
Q14	WEB, single ply, light green, 2½-in. ..	H2/HBA0182	a. r.	A. W. A. material No. 930820.
Q15	WEB, single ply, light green, 3¼-in. ..	H2/HBA0183	a. r.	A. W. A. material No. 930826.
Q16	WEB, single ply, light green, 3½-in. ..	H2/HBA0184	a. r.	A. W. A. material No. 930830.
Q17	WEB, single ply, light green, 6¼-in. ..	H2/HBA0189	a. r.	A. W. A. material No. 930840.
Q18	WEB, single ply, light green, 8-in. ..	H2/HBA0190	a. r.	A. W. A. material No. 930844.
Q19	WEB, single ply, light green, 13½-in. ..	H2/HBA0192	a. r.	A. W. A. material No. 930847.
Q20	SATCHELS, signals, No. 1 .. or SACHEL, signals, No. 1, Mk 1/1	Z1/ZA6292 Ø Z1/ZA27294	1	This item is issued with the Wireless Station A510 but is not peculiar to it, being a general issue of Signals equipment.

MISCELLANEOUS STATION ITEMS

PLATE R

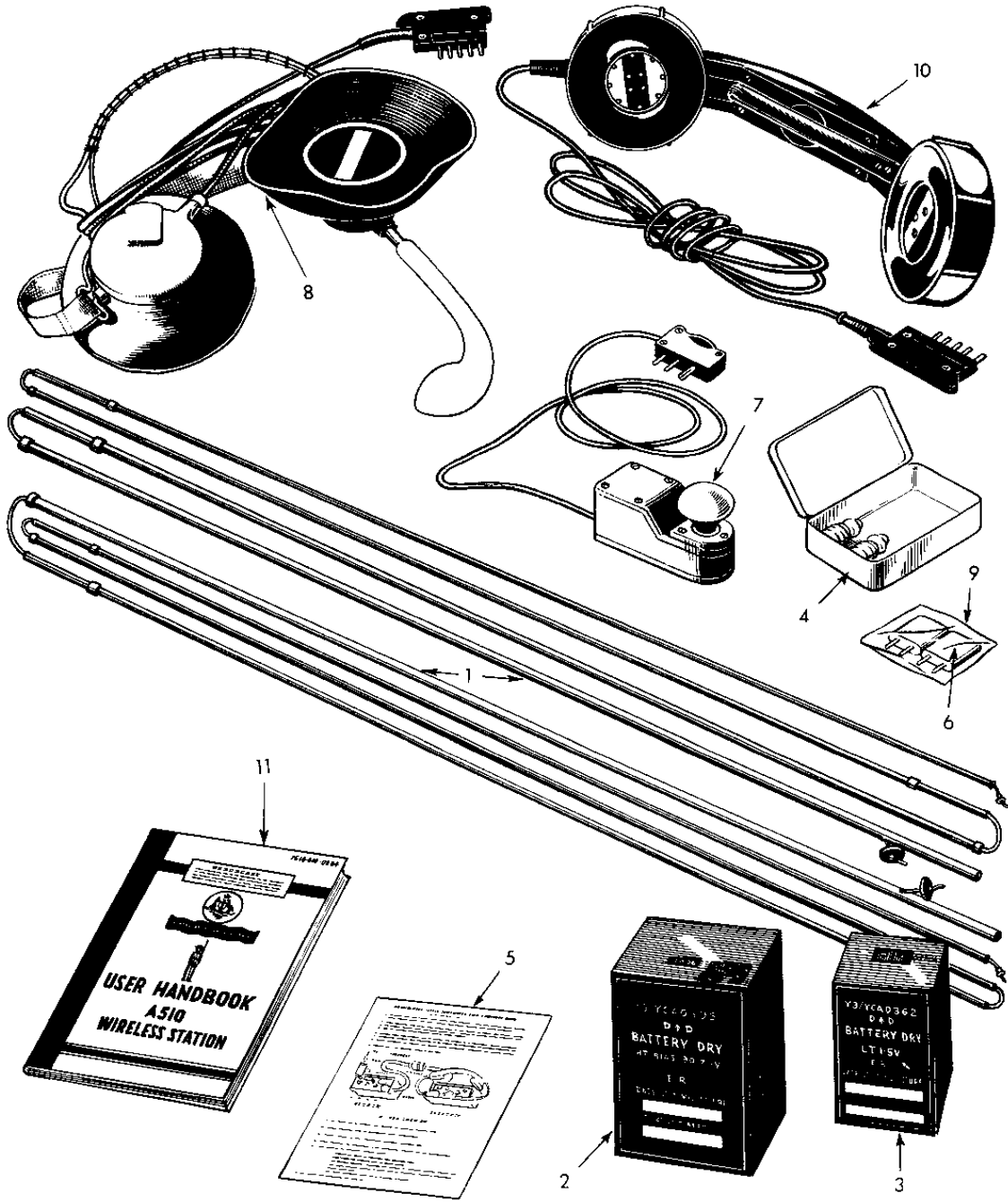


PLATE REF. NO.	DESIGNATION	CATALOGUE NO.	NO. OFF	DRAWING NO. OR REMARKS
R1 *	AERIALS, flexible, 8-ft. (Aust.) ..	Z1/TSE(W)13-2	2	Carried in "CASES, carrying, flexible aerial".
R2 *	BATTERIES, dry, H.T. bias, 90/7.5-volt	Y3/YCA0395	3	2 spare.
R3 *	BATTERIES, dry, L.T., 1.5-volt ..	Y3/YCA0362	3	2 spare.
R4 *	CASES, spares, A510	Z1/TSE(W)8-521	1	Holds crystals in pouch, and pilot lamps.
R5 *	CHARTS, instruction, A510 ..	Z1/TSE(W)8-522	1	
R6 *	CRYSTAL UNITS, style D.E. ..	Z1/ZAA0646	10	
R7 *	KEYS, telegraph, lightweight, (Aust.) No.1	Y1/TSE(W)9-2	1	See separate Identification List - Cat.No.7610-010-810.
R8 *	MICROPHONE AND RECEIVER HEADGEAR ASSEMBLIES, SI, lightweight ..	Y1/TSE(W)15-2	1	See separate Identification List - Cat.No.7610-010-811.
R9 *	POUCHES, style D crystal units ..	Z1/TSE(W)8-569	1	Contains spare crystals.
R10 *	TELEPHONES, hand, SI, No.4A (Aust.) ..	Y1/TSE(W)37-2	1	See separate Identification List - Cat.No.7610-010-812.
R11 *	USER HANDBOOKS, A510 wireless station	7610-010-0234	1	

NUMERICAL INDEX OF CATALOGUE OR DRAWING NUMBERS

SERIES TSE(W)8

NOTE: The numbers marked with an asterisk (*) indicate that the items concerned have been catalogued and will have the prefix "Z1" added to the drawing number.

Catalogue or Drg. No.	Plate Ref.	Page	Catalogue or Drg. No.	Plate Ref.	Page	Catalogue or Drg. No.	Plate Ref.	Page
TSE(W)8-			TSE(W)8-			TSE(W)8-		
1			35 *	J39	25	78 *	D20,J30	8,25
2			36 *	J40	25	79	D23,J33	8,25
3			37		25	80 *	D24,J34	8,25
4			38		25	81	D22,J32	8,25
5		22	39 *	D28,J38	8,25	82	D21,J31	8,25
6 *	J5	22	40 *	D26,J36	8,25	83 *	C30,H19	10,25
7 *	H13	22	41 *	D6,J18	6,23	84	D40,J45	10,26
8		5,23	42 *	D7,J19	6,23	85 *	D38,J43	10,25
9		23	43 *	D8,J20	6,23	86		10,25
10 *	D2	5,22	44	D10,J22	6,23	87	D42,J47	10,26
11 *	D4	5,23	45 *	D9,J21	6,23	88		5,8,10, 26
12 *	J11	22	46			89 *	D41,J46	10,26
13 *	J13	23	47 *	J65	27	90		20
14 *	E6,J4	11,22	48 *	J69	27	91		20
15 *	D30,D33, D50,J28, P24	2,9, 11,20, 23,24, 45	49 *	J66	27	92		20
			50		27	93		5,8
16		22	51		27	94		20
17		22	52 *	D51,J68	11,27	95		
18		27	53 *	J67	27	96		20
19 *	A6,H14, G13,J61, P23	2,4,21, 26,45	54		27	97		
			55 *		24	98		
20 *	D11,J27, P4	6,24, 45	56 *	C15	4	99		20
21 *	C20,H12	5,22	57	J25	24	100		
22 *	D18,J8, P15	6,22, 45	58			101		27
23 *	D55,J9, P20	11,22, 45	59	J26	24	102		
24 *	J14	23	60 *	C16,H8	5,22	103		
25			61 *	C18,H10	5,22	104		
26 *	J10	22	62	C19,H11	5,22	105		
27			63	C17,H9	5,22	106		
28 *	D44,J49	10,26	64		22	107		
29 *	D46,J51	10,26	65			108		
30 *	D49,J54	10,26	66		22	109		
31 *	D48,J53	10,26	67		22	110		
32 *	D45,J50	10,26	68			111	J63	27
33 *	D47,J52	10,26, 45	69			112		
			70			113		27
34 *	H18	25	71 *		25	114 *	F13	26
			72 *	J3	22	115		26
			73			116 *	F15	26
			74			117	C13	4
			75			118		
			76 *	J42	25	119 *	J62	26
			77					

Catalogue or Drg. No.	Plate Ref.	Page	Catalogue or Drg. No.	Plate Ref.	Page	Catalogue or Drg. No.	Plate Ref.	Page
TSE(W)8-			TSE(W)8-			TSE(W)8-		
120		26	171	C11	4	221		
121			172			222		
122			173			223		
123			174 *	F12	26	224		
124			175		26	225		
125			176			226		
126		26	177			227		
127			178		26	228		
128			179		10	229		
129			180		10	230		
130			181			231		
131			182			232		
132			183		10	233		
133			184	B3	2	234		
134 *	F7	23	185			235		
135			186			236		
136		23	187			237		
137			188			238		
138			189			239		
139			190			240		
140			191 *	J41	25	241 *	H1	21
141			192		11,25	242		3,21
142			193			243 *	C7	3
143			194		25	244		3,21
144 *	F6	23	195		25	245		3,21
145		23,24	196		25	246	C3,H3	3,21
146			197 *	F1	20	247 *	E2,F10	7,24
147		23,24	198			248		
148		23	199		20	249		24
149 *	F9	24	200			250		24
150		24	201		2	251		25
151			202			252		10
152			203		26	253 *	F5	21
153			204		20	254		21
154			205			255	J29	25
155			206			256		22
156			207			257		22
157			208	J56	26	258		27
158 *	F8	24	209			259	E3,F11	7,24
159			210 *	A28,J59	9,26	260 *	J7	22
160			211 *	A29,J60	9,26	261 *	C6,H5	3,21
161			212 *	J2,J57	8,11,22	262 *	D27,J37	8,25
162		24			26	263		20
163			213 *	J1	22	264		20
164		20	214		11	265		
165			215			266		43
166 *	F4	21	216 *	F3	20,28	267 *	J12	23
167		21	217			268		21
168	J58	21,26	218			269 *	G6	21
169			219			270	G7	3,21
170			220			271 *	G8	21

Catalogue or Drg.No.	Plate Ref.	Page	Catalogue or Drg.No.	Plate Ref.	Page	Catalogue or Drg.No.	Plate Ref.	Page
TSE(W)8-			TSE(W)8-			TSE(W)8-		
272			322		10	372		10
273			323		10	373		9
274			324 *	A34	6,9,12, 45	374	D31	9
275						375	D32	9
276			325		43,41	376		9
277 *	B10,G9	4,21	326	E4	7	377		3
278 *	B12,G11	4,21	327 *	C8	4	378		
279	B15,G14	4,22	328 *	D17	6	379		
280	B17,G16	4,22	329 *	D16	6	380		
281	B13,G12	4,21	330 *	D19	6	381		
282	B16,G15	4,22	331			382		7
283	B11,G10	4,21	332 *	A15	4	383		7
284 *	G1	20	333			384		
285 *	B5,G4	2,20	334			385 *	A14	2
286 *	B2,G3	2,20	335 *	A1	2	386		2
287			336 *	A8	2	387 *	D56	12
288	G2	2,20	337	A2	2	388		12
289	B4	2,20	338	A5	2	389		12
290		2,20	339	A4	2	390		6
291		3,20	340 *	C9	4	391		6
292		2,20	341	C12	4	392		
293		20	342			393 *	G1	3
294 *	D3,J6	5,22	343	D13	6	394 *		11
295	A26	9	344			395 *		11
296 *	C22,H14	5,22	345			396	E12	11
297			346		9	397 *	D54	11
298			347	D34	9	398 *	D52	11
299 *	C25	5	348	D35	9	399 *	D53	11
300		5	349		9	400		11
301 *	C21	5	350			401		11
302 *	A17	4	351	D12	6	402		11
303 *	A16	4	352			403 *	E11	11
304		4,8	353			404 *		11
305 *	C28	8	354			405		11
306 *	C29	8	355	A23	7	406		11
307 *	C27	8	356			407		11
308 *	D29	8	357		7	408		
309		9	358			409		
310	A3	2	359		8	410		
311 *	A9	2	360			411 *	C17	13
312 *	A7	2	361	A25	7	412		
313 *	A11	2	362		7	413		
314 *	A10	2	363		7	414		
315 *	C23,H15, F14	5,23,26	364		7	415		
316 *	C24,H16	5,23	365			416		
317	D15	6	366			417		
318		6	367			418		
319 *	D14	6	368		7	419 *	E10	11
320	A36	12	369	A18	5	420		
321		2	370			421		
			371 *	A30	10	422		

Catalogue or Drg. No.	Plate Ref.	Page	Catalogue or Drg. No.	Plate Ref.	Page	Catalogue or Drg. No.	Plate Ref.	Page
TSE(W)8-			TSE(W)8-			TSE(W)8-		
423			474	A27	2,9	525 *	Q3	47
424			475			526 *	Q1	47
425			476 *	M1	41	527 *		24
426 *	E13	11	477			528		
427			478		41	529 *	D39,J44	10,25
428 *	E7	11	479 *	M11	41	530		
429			480	M9	41	531		
430			481 *	L6,M7	39,41	532		
431			482		41	533		
432 *	E8	11	483	M10	41	534		
433			484	M6	41	535		
434			485			536		
435			486			537		20
436		11	487			538	J24	24
437			488			539		4
438			489	M4	41	540		
439			490			541 *	J64	27
440 *	E9	11	491			542		
441			492	M8	41	543		
442 *	C31	11	493			544		
443 *		11	494			545		
444			495	M3	41	546		6
445		11	496			547 *	A21	5
446			497	M5	41	548		
447			498			549		
448 *	D36	9	499 *	M14	41	550		
449			500	M16	41	551		
450	D37	9	501	M19	41	552		
451			502	M18	41	553		
452			503	M17	41	554		
453			504	M15	41	555		
454			505	M22	41	556		
455			506			557		
456			507 *	L12	39	558	A19	5
457			508			559		8
458			509			560		9
459			510			561	O4,H4	3,21
460			511			562 *	H6	21
461			512			563 *	D1	5
462			513			564		
463			514		26	565		
464		10	515			566	O10	4
465			516 *	L1	39	567		22
466 *		10	517 *	L9	39	568		5
467		3	518	L14	39	569 *	R9	49
468	B7	3	519 *	N1	43	570 *	J23	24
469	E9	3	520 *	P1	45	571		
470			521 *	R4	49	572		
471			522 *	R5	49	573		
472			523	L10	39	574		
473	B1	2	524 *	Q2	47	575		

Catalogue or Drg.No.	Plate Ref.	Page	Catalogue or Drg.No.	Plate Ref.	Page	Catalogue or Drg.No.	Plate Ref.	Page
TSE(W)8-			TSE(W)8-			TSE(W)8-		
576			627		45	678		
577			628		45	679 *		39
578			629 *		45	680	N4	43
579			630		45	681	N5	43
580			631			682		
581			632		45	683		
582			633 *		45	684 *	N9	43
583			634			685 *	N6	43
584			635	P26	45	686		
585			636	P17	45	687		
586			637 *	P22	45	688	N11	43
587			638 *	P9	45	689	N2	43
588			639	P25	45	690		
589			640	P3	45	691		
590			641 *	P6	45	692		
591			642			693		
592	L2	39	643	P11	45	694 *	N10	43
593			644	P14	45	695	N16,N13	43
594 *	L4	39	645 *	P21	45	696	N3	43
595 *	L5	39	646			697 *	N7	43
596			647	P19	45	698	N14,N15	43
597	P18	45	648 *	P5	45	699		
598	P12	45	649			700 *	J14	23
599			650 *	P8	45	701 *		27
600			651 *	P27	45			
601			652					
602 *	P10	45	653					
603			654					
604			655					
605			656		9			
606	P28	45	657					
607			658					
608			659					
609			660	M21	41			
610			661					
611			662					
612	P7	45	663					
613			664	N12	43			
614			665					
615 *	P13	45	666					
616			667 *	B6,G5	3,20			
617			668					
618			669					
619			670					
620 *	P29	45	671					
621			672		3,20			
622			673					
623 *	P16	45	674					
624			675					
625			676					
626 *	P2	45	677					

NUMERICAL INDEX OF MISCELLANEOUS ITEMS

Catalogue No.	Plate Ref.	Page	Catalogue No.	Plate Ref.	Page	Catalogue No.	Plate Ref.	Page
AA			Z/AZ			Z1, ZAA		
1106	Q8	47	1239		28	C519	E1	6
1881	Q9	47	1709		28	0646	R6	49
			1755		28	0649	J16	23
			1756		28	0667		8
A/AAA			1757		28	0669	J15	23
0005	Q7	47	1758		26	0670	C5	3
			1759		26	0530		13
			1760		28			
A1/AA			1761		28			
372	Q4	47				Z1, 5910-010-		
374	Q5	47				0761		13
						0762		13
						0763		13
H2/HBA			Z/CV			0764		13
0159	Q10	47	L48	A24, A31, F2	7, 11, 20	0765		13
0161	Q11	47	782	F17	27	0767		13, 28
0179	Q12	47	784	F18	27	0768		13, 28
0181	Q13	47	785	A32, F17	11, 27	0769		13
0182	Q14	47	807	A33	11	0770		13
0183	Q15	47				0771		13, 28
0184	Q16	47				0772		13
0189	Q17	47	Z/Z					
0190	Q18	47	115623		13			
0192	Q20	47	115626		13, 28			
Q417	L11	39	115627		13, 28			
LV6/MT7/ BG-418-Z		22, 27	115631		28			
Y1/TSE(W)			132283		13			
9-2	R7	49	221130		13			
15-2	R8	49	221193		13			
37-2	R10	19	221214		13			
			222025		28			
			222079		13			
			222100		13			
Y1/YA			222130		28			
8197	A20	5	222151		13			
			222163		28			
			222214		13, 28			
Y3/AWA/TA			223037		13, 28			
70-119	C2, R2	3, 21	223058		13, 28			
			223079		13			
			223121		13, 28			
Y3/YCA			223205		28			
0362	R3	47	223268		28			
0367	D25, J35	8, 25						
0395	R2	49						
			Z1/ZA					
			0752		7			
			0755		17			

RESTRICTED

1 Base Printing Coy—157/56—3/56—884